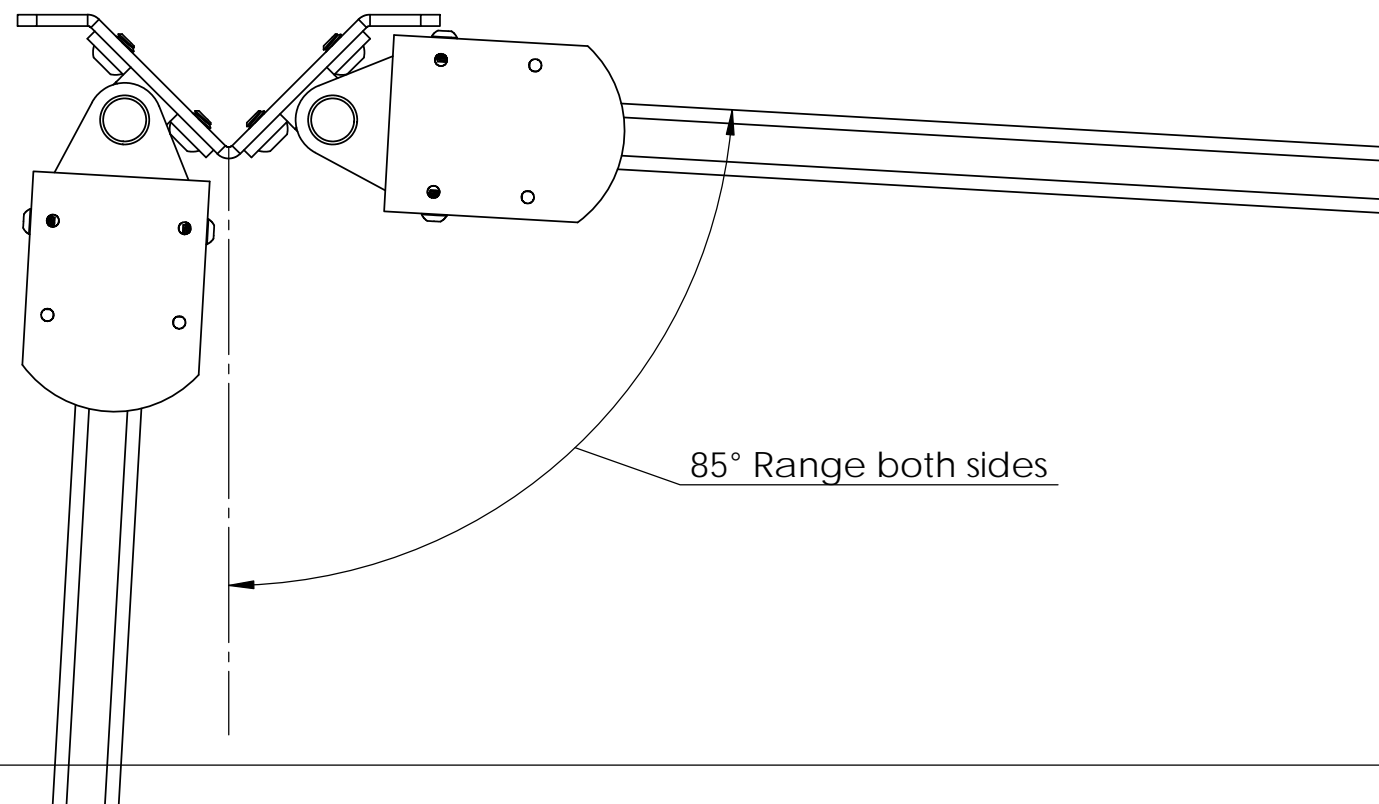
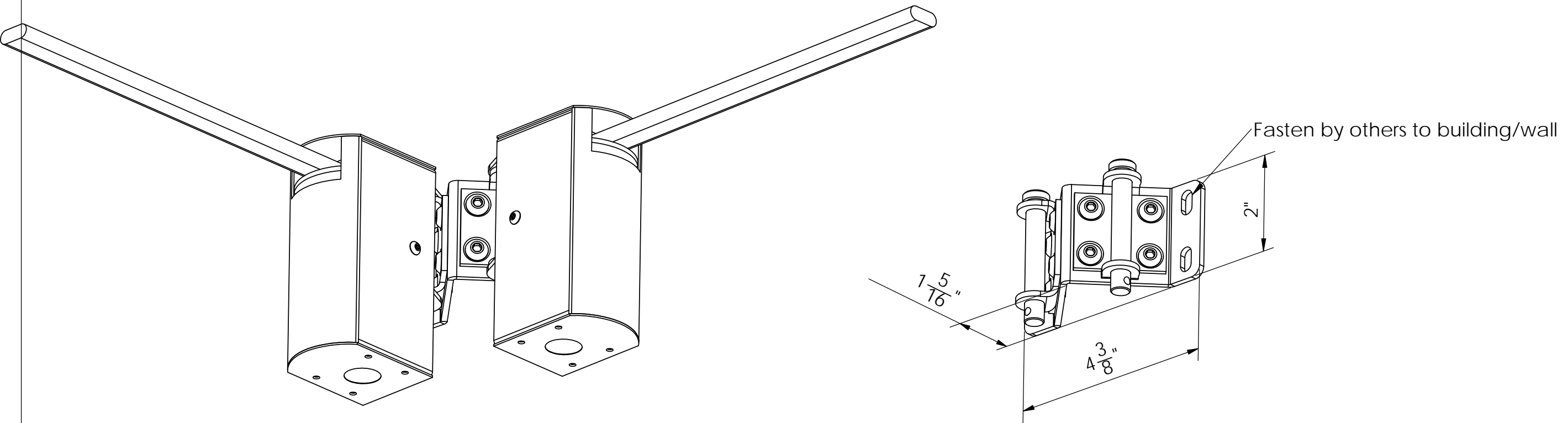


Type: na

Qty: TBD

Project:

SPEC: Shallow Angle Angle Bracket Single or Double (shown)



REVISION: 1



DATE: 6/12/2017  
By: CH

TITLE: EndMnt-PivBlock  
Config: ShallowAngle

Specifications may change from what is shown. Fixtures are ETL-listed. See installation instructions.

DO NOT SCALE DRAWING  
SIZE: B SCALE: 1:4