

CAUTION: Read all instructions. Save these instructions.

- Do not install any Luminaire closer than six inches from any curtain or similar combustible material.
- Do not install this system in a damp or wet location.
- Turn off electrical power before modifying the lighting system in any way.
- Ensure all connections are tight. Loose connections can cause overheating, arcing and a potential fire risk.
- Use only as described in these Tegan Lighting Installation Instructions.
- Luminaires may be extremely hot, allow to cool before touching.
- These are DC Luminaires; they must be connected to an appropriate Tegan power supply/housing. Refer to Specification Sheets.
- For proper installation, have a qualified electrician install this product.
- This Luminaire must be wired and grounded in accordance standard accepted electrical installation practices, local codes, and ordinances.
- Wire supply connections must be made with U.L. or comparable testing agency-approved connectors.
- Regular cleaning of these products is important. Switch off at main supply and allow to cool before touching. Clean fittings with a soft damp cloth and allow to dry before reconnecting power supply. Prevent dust from accumulating on finned heatsinks for long life.

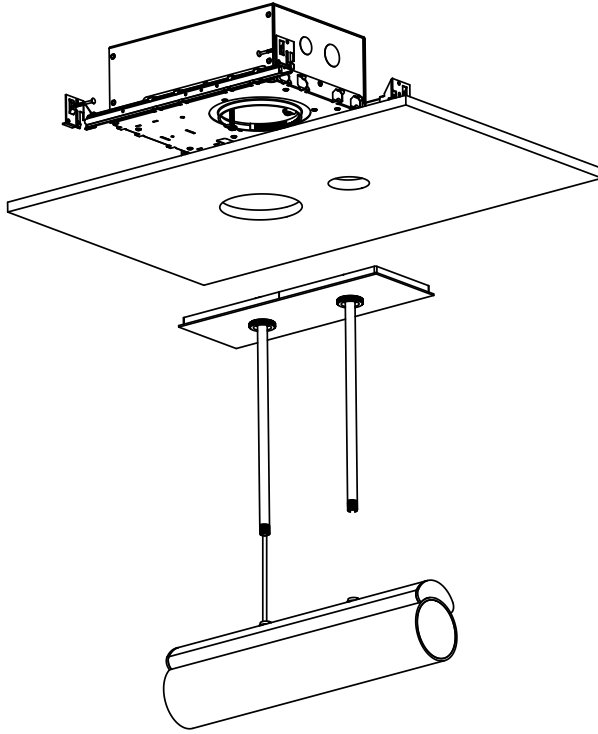


Kore Linear Pendant 25
(KLP-25)



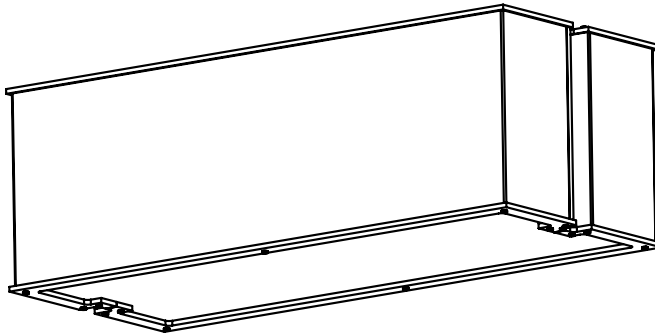
Kore Linear Pendant 16
(KLP-16)

OVERVIEW OF INSTALLATION COMPONENTS



STEP 1: DRIVER ENCLOSURE

STEP 2: CEILING (By Others)



STEP 3: KORE LED (May Vary)

STEP 4: SHADE (May Vary)

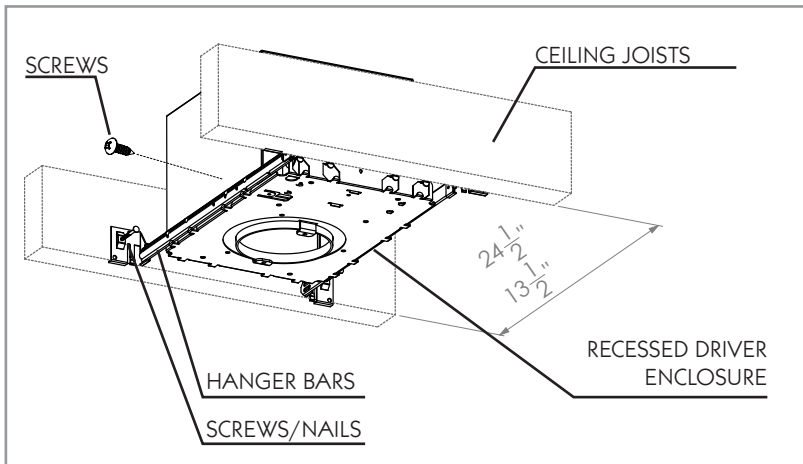
Turn off electrical power before installation or modifying the lighting system in any way.



STEP 1: DRIVER ENCLOSURE

RECESSED DRIVER ENCLOSURE

1.A

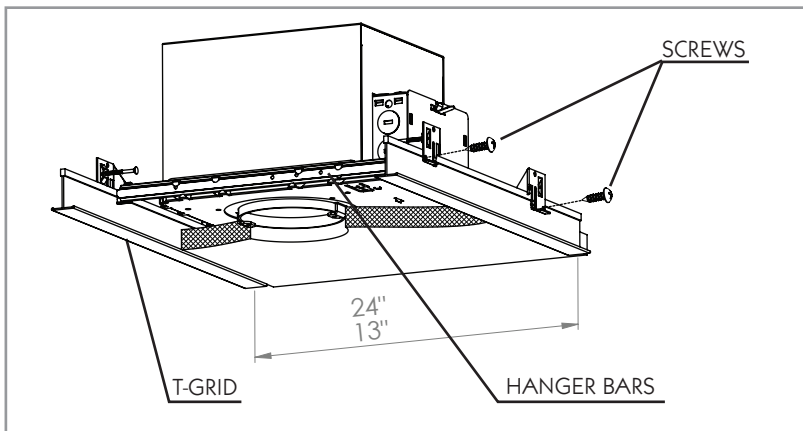


Mount to Ceiling Joists

RECESSED DRIVER ENCLOSURE comes equipped with HANGER BARS to mount to framing between 13.5" and 24.5" apart. HANGER BARS may be re-positioned around metal frame.

1. Spread HANGER BARS so they extend between CEILING JOISTS. Position housing in correct position between CEILING JOISTS.
2. Affix with SCREWS/NAILS.
3. Pin HANGER BARS in position with SCREWS.

1.B

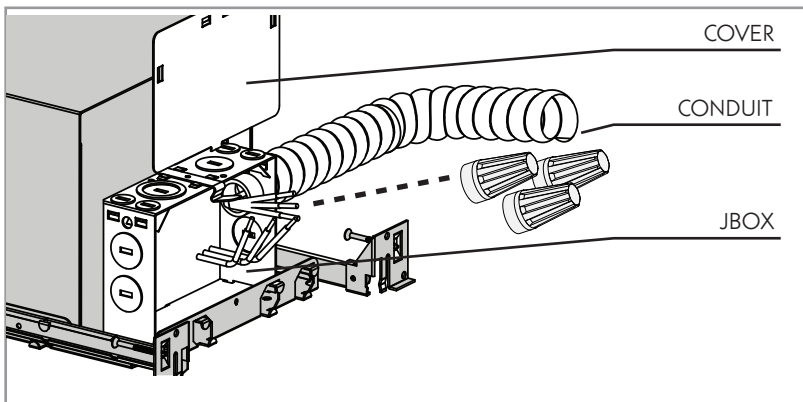


Mount to Grid Ceilings

Fixture comes equipped with HANGER BARS to mount to T-GRID between 14" & 24" apart. Additional Support is required by Building Codes, including hanger wires or threaded rods (not shown).

1. Mark and pre-drill 4" hole in ceiling-tile. Spread HANGER BARS so they extend to T-GRID.
2. Pin to T-GRID with SCREWS (supplied by others).
3. Pin HANGER BARS in position with SCREWS.
4. Support Recessed Driver Enclosure independently with hanger wire or threaded rods.

1.C



Connect Electrical

Provide electrical service according to the "National Electrical Code" and your local electrical code to the junction box (located on the plasterframe). Supply wire insulation must be rated for at least 90 C.

1. Remove COVER of JBOX.
2. Bring 1/2" CONDUIT (or cable) to JBOX. Use appropriate connector (not provided) for CONDUIT (or cable).
3. Leave at least 12" of free wire length inside the JBOX for inspection of splices after ceiling is installed.
3. Using appropriate WIRE NUTS or other connectors, connect white, black, and green (from electrical service) to matching colored conductors on input of LED Driver. Ground wire may be bare copper. Place all excess wiring and connections into the junction box and replace the cover. Dimming installation may require other connections.

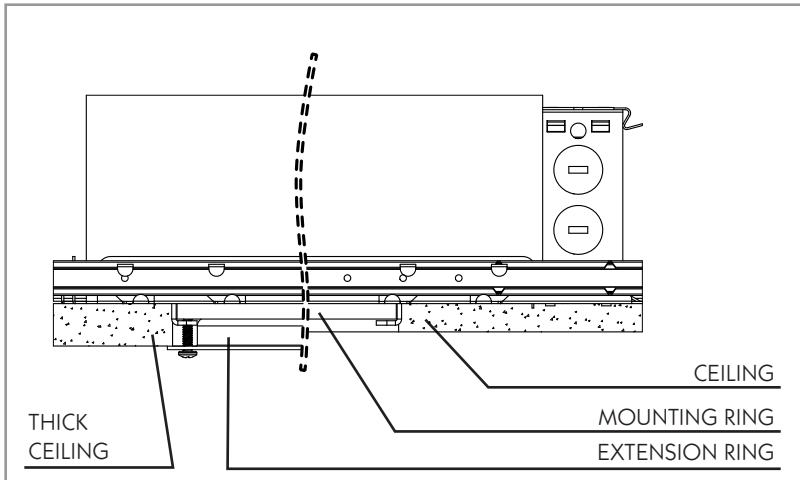
INPUT: HOT	●	BLACK
INPUT: NEUTRAL	●	WHITE
INPUT: GROUND	●	BARE/GREEN
INPUT: DIM PURPLE*	●	PURPLE
INPUT: DIM GREY*	●	GREY

*optional, may vary



STEP 2: INSTALL CEILING

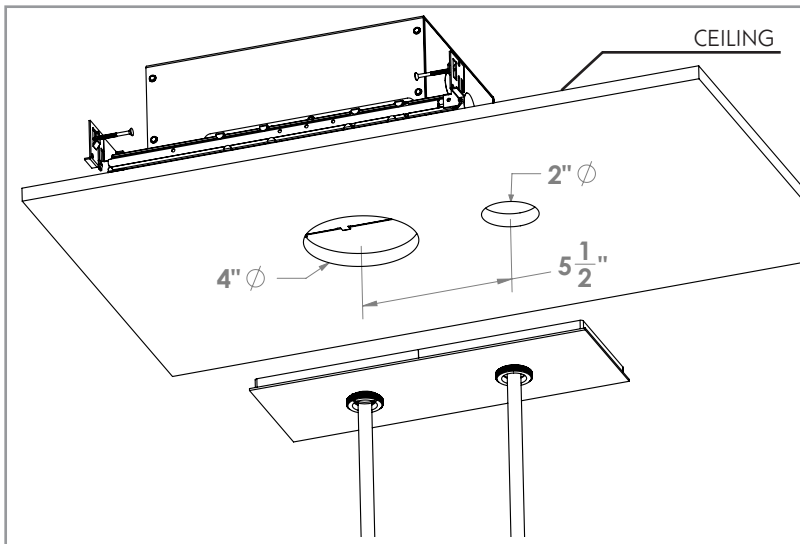
2.A



Finish Ceiling - Part 1

1. Drill a 4" hole in CEILING and install around MOUNTING RING.
2. For thick ceilings use a standard 4" Octagonal raised EXTENSION RING (not supplied) to cover edges of ceiling, attached to MOUNTING RING with appropriately long 8-32 fasteners (not supplied).

2.B

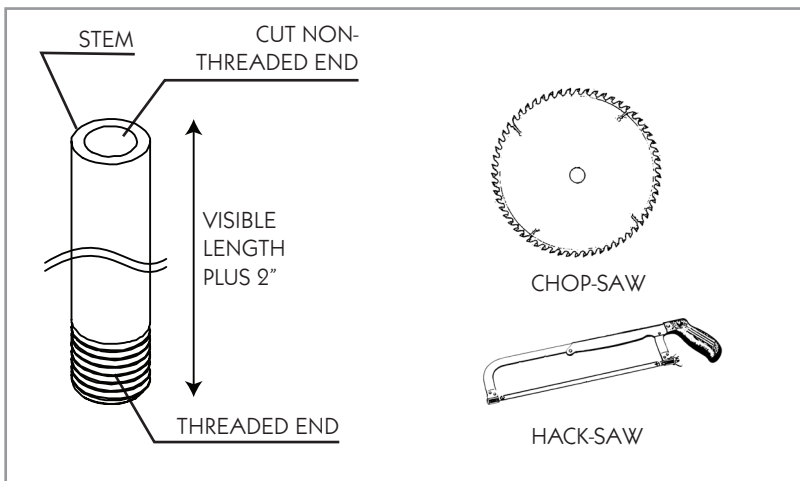


Finish Ceiling - Part 2 (For Stem installations)

1. Drill a 2" hole in CEILING 5 1/2" away from the 4" hole.
2. This additional hole is for the stem hardware. If there is a joist or other obstruction directly behind the CEILING, it must be drilled out to allow 1" penetration into the CEILING.

STEP 3: KORE LED

3.A

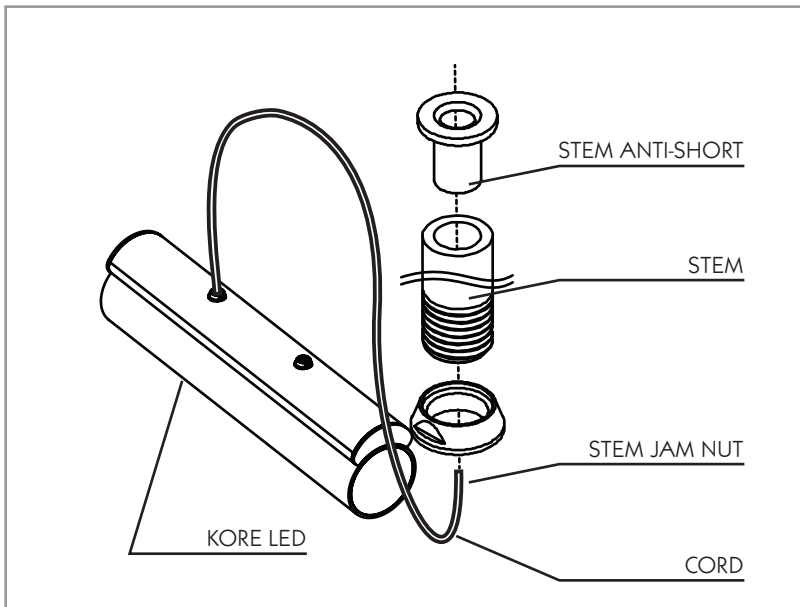


(For SS orders) Cut stem to length.

- 6' STEMS ship loose with stem ("SS") orders and are cut in the field as needed. Stems help support the weight of shades.
1. Based on optional shade and the Kore LED, calculate cutting length of STEM. 2" of stem is required to grip the stem.
 2. Using a CHOP-SAW with aluminum-cutting blade or a HACK-SAW, cut the NON-THREADED end to the correct size.
 3. Debur the cut ends.



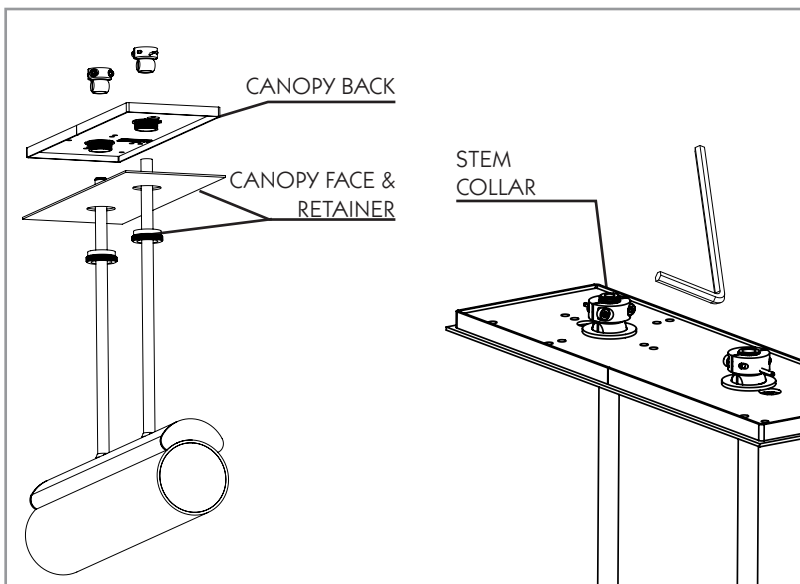
3.B



Assemble Stems

1. Thread CORD through STEM JAM NUT, STEM, and STEM ANTI-SHORT.
2. Press STEM ANTI-SHORT firmly into STEM.
3. Thread STEM JAM NUT fully onto threaded end of STEM.
4. Thread STEM into KORE LED until snug. Tighten the STEM JAM NUT against KORE LED.
5. Trim excess CORD, leaving at least 6" free for electrical connections.
6. Repeat steps 3 - 5 for the second STEM that does not have the CORD running through it.
7. For shades with a top lens, it must be installed over both STEMS at this time.

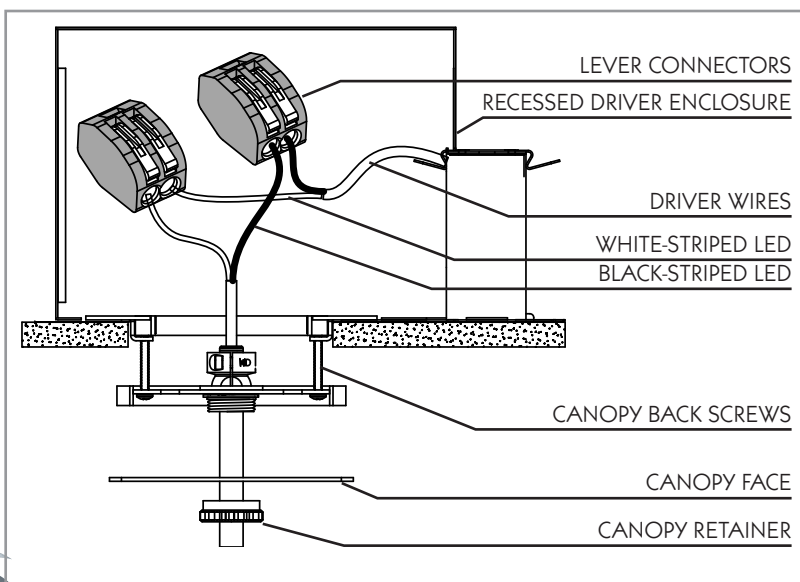
3.C



Assemble Pendant Hardware

1. Slide CANOPY FACE & RETAINER, and CANOPY BACK over Kore LED Stem.
2. For Stem installations, use Allen Key to tighten STEM COLLAR around Stem at proper height.

3.D

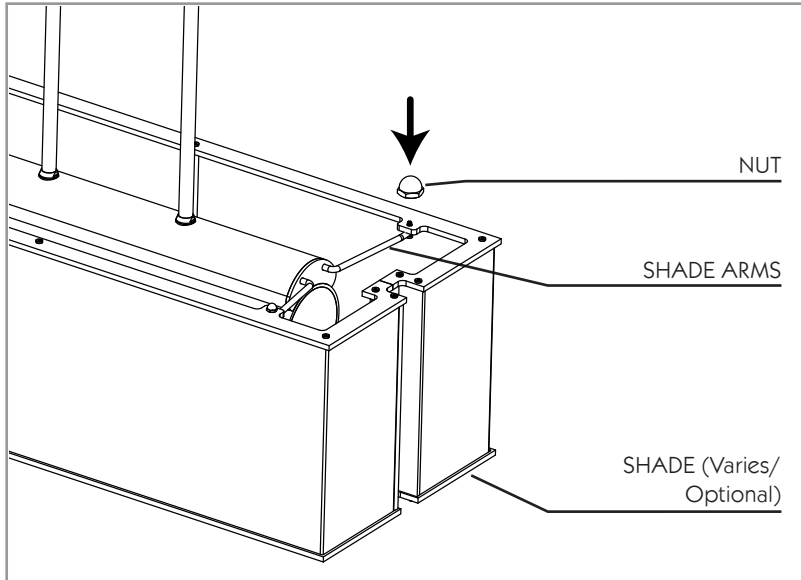


Driver Connections

1. Strip cord to expose black & white striped conductors.
2. Connect BLACK-STRIPED LED wire to DRIVER MINUS/BLACK wire. Connect WHITE-STRIPED LED wire to DRIVER PLUS/RED wire with supplied LEVER CONNECTORS.
3. Use Two CANOPY BACK SCREWS to affix canopy back to installed HOUSING.
4. Use CANOPY RETAINER to affix CANOPY FACE to CANOPY BACK.
5. Test by applying building power. Do not look directly into LED.

STEP 4: SHADE INSTALLATION

4.A



SHADE installation.

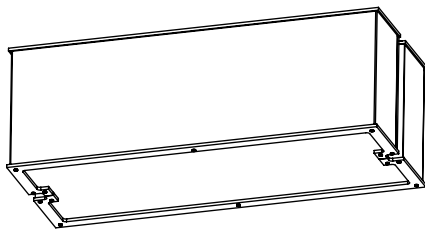
Shades vary based on order, and are shipped separately from KORE LED components. They can be removed for cleaning.

1. SHADE has four holes that align with threaded rods of SHADE ARMS. Place SHADE onto the threaded rods.
2. Affix with 4x supplied acorn NUT.

4.B

SPECIFIC SHADE INSTRUCTIONS

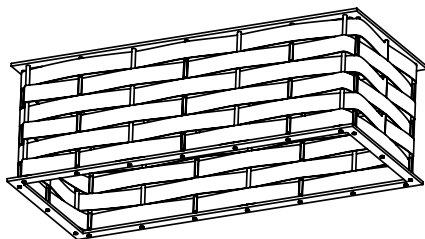
MOZ SLOT



MOZ SLOT

1. UNPACKING: Take care not to scratch shades. Leave them in their packaging until final installation.
2. INSTALLATION: Shades come with blue or clear protective peel coat which must remain on shade until final installation.
3. MAINTENANCE: Use a damp, soft cloth with mild, non-abrasive soap and water. Do not treat with harsh chemicals, compounds or solvents which will dissolve the coating on the shade.

MOZ WEAVE



MOZ WEAVE

1. UNPACKING: Take care not to scratch shades. Leave them in their packaging until final installation.
2. INSTALLATION: Shades come with blue or clear protective peel coat which must remain on shade until final installation. Individual bands of metal may shift during shipment or handling- they may be carefully replaced into their original position.
3. MAINTENANCE: Use a damp, soft cloth with mild, non-abrasive soap and water.