

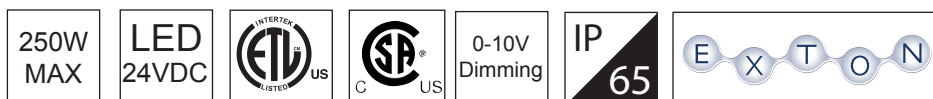
Exton Monopoint System

NEW

Kore-EX5 IP65 Monopoint
Pendant with Gem & Disk Shade



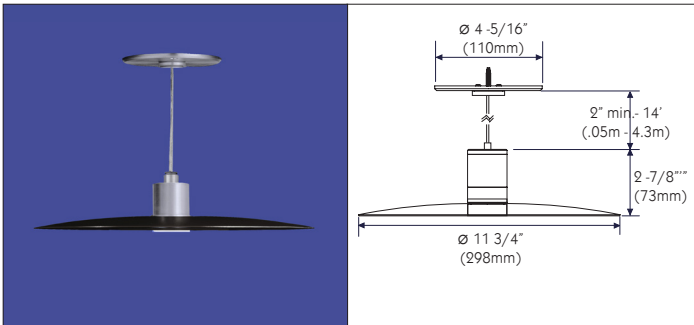
- Category:** Exton Pendant Mount Monopoint with Gem and Disk Shade can be used for Exterior or Interior applications. Designed for use with a remote Power Supply Enclosure with Driver. Optional 0-10V Dimming.
- Material:** Monopoint: Powdercoated or anodized aluminum.
Kore-EX5 LED Module: UV stable exterior anodized aluminum, UV stable polycarbonate, glass lenses, O-rings.
Gem: 100% machined, clear/frosted acrylic
Architectural Metal Shade: Powdercoated Black.
Pendant Power Cord: Clear with aluminum Kore-EX5 Module and black with black Kore-EX5 Module.
- Finish:** Kore-EX5 LED Module: Exterior rated, brushed, two-step electrolytic color anodizing. Anodized Black (BLK) or Anodized Aluminum (AL).
Gem: Clear/frosted acrylic.
Shade: Powdercoated Black
Pendant Power Cord: Clear with aluminum Kore-EX5 Module and black with black Kore-EX5 Module.
SJ Cord is factory cut in 1" (.025m) increments as specified from 2" (.05m) min. up to 14' (4.3m) max.
Mounting: Powdercoated Black.
- Power Supply Enclosure:** Refer to [Exton Power Supply IP20 Specs sheet](#), [IP24 Specs sheet](#) or [IP66 Specs sheet](#) for details.
- Mounting:** 4" Monopoint - Kore-EX5 LED Module mounts to a standard 4" J-Box (for exterior installations). Refer to page 2 for complete catalog ordering combinations.
- LED:** High Wattage Array Cree LED, 2-Step Macadam. 5W @ 500 Lumen Output with 2700K 82-85 CRI typical. All values are initial lumens. For exact lumen output and wattage consumption data, please consult LM79 reports. Online power consumption does not include driver losses. Contact factory for 2400K, 3500K, 4000K or 90 CRI.
- Optics:** A 15° reflector is supplied in all Gem options to maximize decorative element illumination.
- Electrical:** 24VDC. Total input watts per EX-5 Module: 6.5W. 250W max. per circuit.
- Remote Power Supply:** The Exton System is designed for use with a Remote Power Supply Enclosure and Driver. Refer to [Exton Power Supply IP20 Specs sheet](#), [IP24 Specs sheet](#) or [IP66 Specs sheet](#) for details. **Use of Tegan Lighting Power Enclosures and Drivers only.** If supplied "by others" the warranty and listing are void.
- Gems:** Flat Gem (FG), Frosted Cylinder Gem (FCG), Frosted Sphere Gem (FSG).
- Architectural Shade:** 12" Disk Shade; Powdercoated Black (DS-BLK). Contact factory for one-tone or two-tone custom colors (no minimum quantity).
- Accessories:** 22K Color Correction Filter (CCT-22K), 24K Color Correction Filter (CCT-24K).
Note: CCT22/24 = Kelvin Temperature results when used with the standard 27K Cree LED.
- Installation:** Refer to [Installation Instructions](#) for details. For system layout, and specification assistance, refer to the [Exton Application Guide](#) for details.
- Labels:** ETL Listed; Tested to UL 2108 Low Voltage Lighting Systems. In a continuing effort to offer the best product possible we reserve the right to change, without notice, specifications or materials. Technical specification sheets that appear on [teganlighting.com](#) are the most recent version and supersede all other versions that exist in any other printed or electronic form. Kore-EX5 Module, Monopoint Mounting - 3 year warranty. Envelopes: **limited three year warranty**. Refer to [Exton Application Guide](#) for details.



Exton Monopoint System

Kore-EX5 IP65 Monopoint
Pendant with Gem & Disk Shade

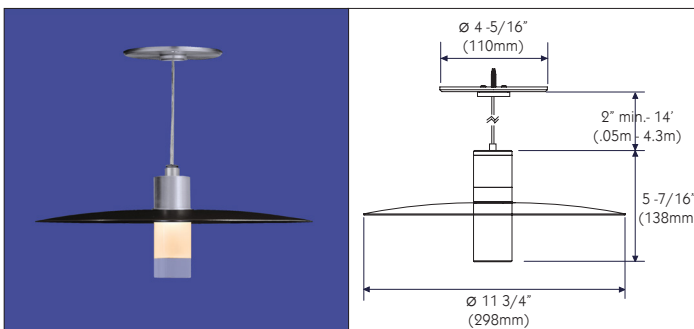
Exton - Monopoint - Kore-EX5 LED 24VDC Pendant Mount with Gem & Disk Shade - Combinations



Kore-EX5 LED Pendant, Monopoint,
Flat Gem, Disk Shade.

Kore-EX5: Aluminum or Black finish.
Disk Shade: Black Finish.

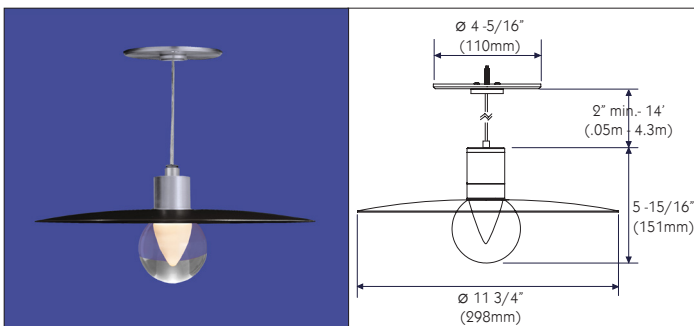
(EX5-K-PX-MP-FG-AL-DS-BLK)
(EX5-K-PX-MP-FG-BLK-DS-BLK)



Kore-EX5 LED Pendant, Monopoint,
Frosted Cylinder Gem, Disk Shade.

Kore-EX5: Aluminum or Black finish.
Disk Shade: Black Finish.

(EX5-K-PX-MP-FCG-AL-DS-BLK)
(EX5-K-PX-MP-FCG-BLK-DS-BLK)



Kore-EX5 LED Pendant, Monopoint,
Frosted Sphere Gem, Disk Shade.

Kore-EX5: Aluminum or Black finish.
Disk Shade: Black Finish.

(EX5-K-PX-MP-FSG-AL-DS-BLK)
(EX5-K-PX-MP-FSG-BLK-DS-BLK)

1. Order Power Supplies separately. Refer to [Power Supplies](#) for options.
2. Order Accessories on p. 1 separately.
3. Power Cord is factory cut (X) to 1" increments between **2" min. to 14' max. length standard** (specified Cord length, not overall length). Specify desired length, not field cuttable. Contact factory for longer lengths.





Click on the linked image below to visit the [Exton Gallery](#).



Kore-EX5 LED Monopoint Pendant, Black,
Flat Gem, Dysk Shade



Kore-EX5 LED Monopoint Pendant, Black,
Frosted Sphere Gem, Dysk Shade

Tegan's [Exton Application Guide](#) features installation examples with complete BOM! Click on the linked image below.

