

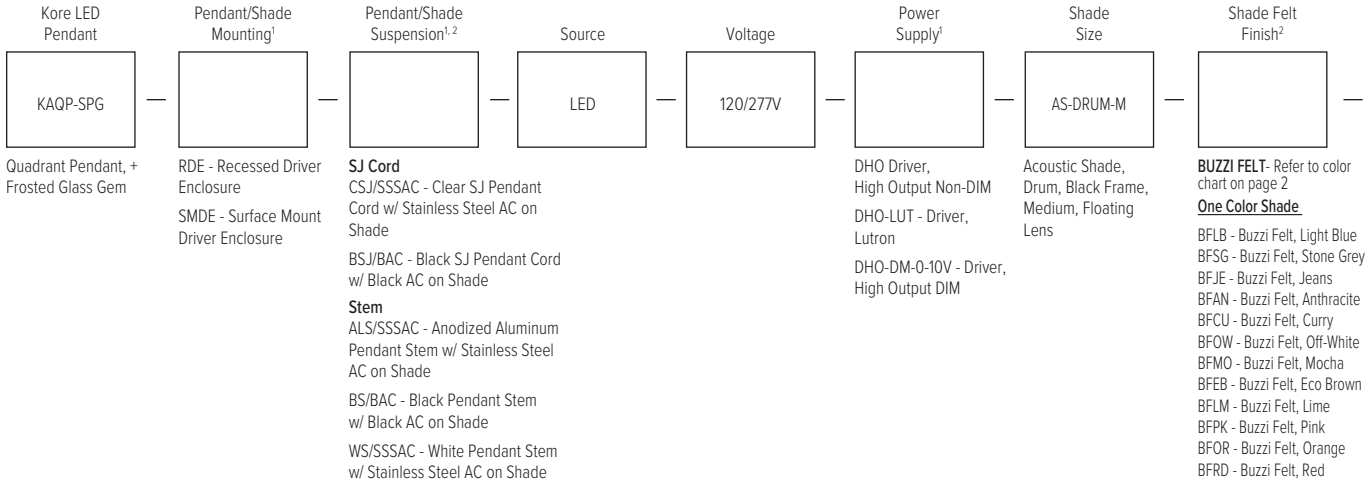
Kore LED Pendant

NEW

BUZZI Drum IP20
Medium Acoustic Shade
1 Kore LED Pendant



Catalog Example: KAQP-SPG-RDE-CSJ/SSSAC-LED-120/277V-DHO-DM-0-10V-AS-DRUM-M-BFSG



Accessories³



- SSC - Sloped Ceiling Adapter
- 2AC12/SEK-AL - 12' Stem Extension
- 2AC12/SEK-BLK - 12' Stem Extension

Notes:
¹ Select one.
² Tegan LED Pendant and the Drum Shade are not structurally attached.
³ Drum Pendant Stem Extension ASSY is 12' - 0" maximum. Contact Factory for longer lengths.

Kore Ambient - Drivers

Description	Tegan Power Supply Catalog #	Voltage	Dimming	Typical Driver Link ^{1,2,3}
Kore Quadrant - LED - High Output Driver	DHO	120/277V	Non-DM	Thomas LED40W-045-C0900-M-D
Kore Quadrant - LED - High Output Driver - Lutron	DHO-LUT	120/277V	Non-DM/DM	Lutron L3DA4U1UKS
Kore Quadrant - LED - High Output Dimming Driver - 0-10V	DHO-DM-0-10V	120/277V	DM	Thomas LED40W-045-C0900-M-D

Notes:
¹ Refer to manufacturer's spec sheets for compatible controls and additional detail.
² Due to the rapidly evolving technology for Semiconductor products, Tegan driver options are subject to change at any time, without notice. In addition, if any of the standard drivers are out of stock or discontinued, Tegan Lighting will supply an equal as needed. Tegan can also supply alternative drivers upon request; contact the factory for details.
³ Tegan LED emitters, like all LEDs, undergo a natural depreciation in lumen output. This depreciation is within the specifications of LM-80. Extreme ambient temperatures, dusty environments, and power conditions may affect the depreciation. Wattage requirements and lumen output are subject to change with ongoing developments in LED technology.



Kore LED Pendant

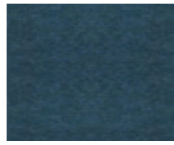
Acoustic Shade - BUZZIFELT Finish Options*



Light Blue
(BFLB)



Stone Grey
(BFSG)



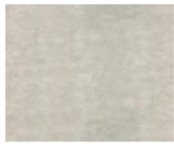
Jeans
(BFJE)



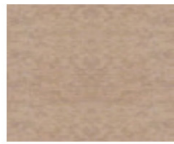
Anthracite
(BFAN)



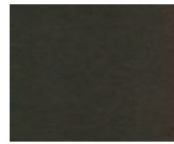
Curry
(BFCU)



Off-White
(BFWO)



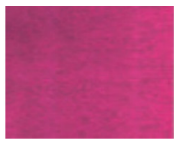
Mocha
(BFMO)



Eco Brown
(BFEB)



Lime
(BFLM)



Pink
(BFPK)



Orange
(BFOR)



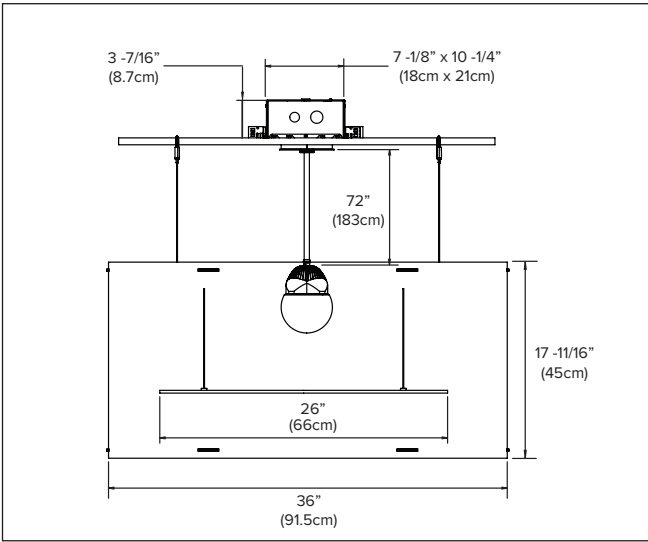
Red
(BFRD)

* Due to the process of thermoforming colors may vary slightly.

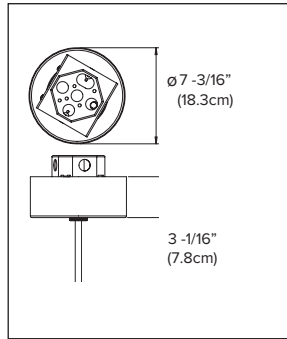


Kore LED Pendant

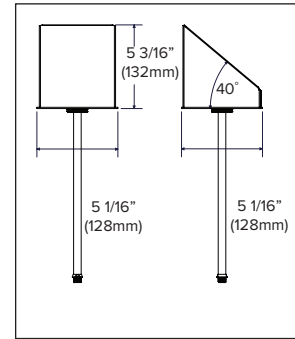
Kore LED Ambient - Small Acoustic BUZZI DRUM



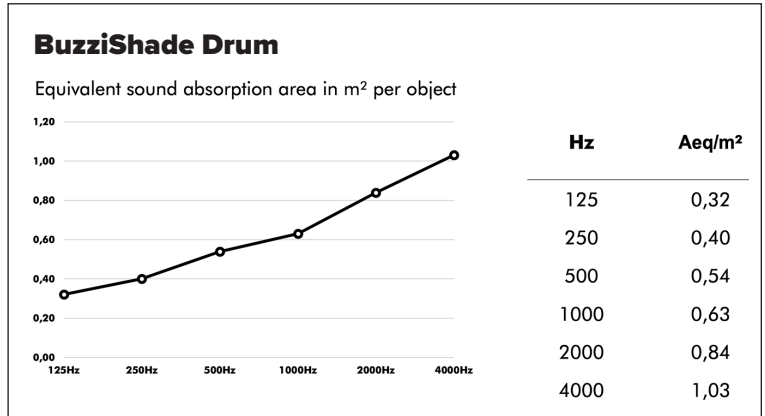
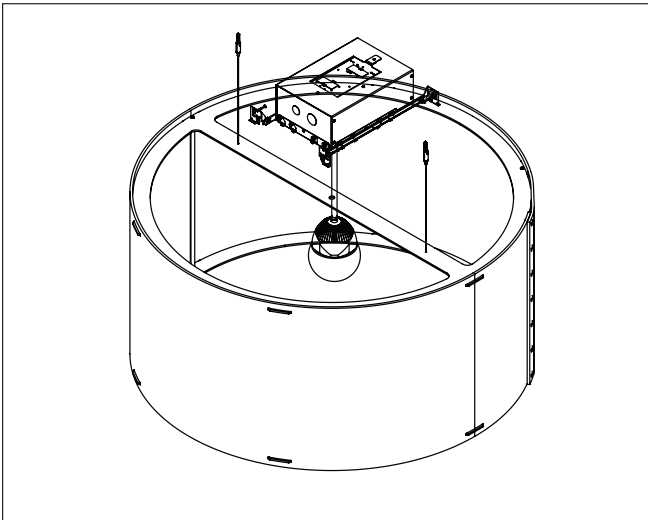
Elevation View
 Kore LED Ambient Quadrant Pendant, Recessed Driver Enclosure,
 Stem, Medium Acoustic BUZZI DRUM.



Kore Ambient Surface Mount
 Driver Enclosure (SMDE).



Kore Ambient Pendant - Sloped
 Ceiling Canopy (SCC); Elevation
 (left) and Section (right) views.



Kore LED Pendant



Category: Tegan Lighting has teamed up with BUZZISPACE to offer BUZZI DRUM Shades with a Kore Ambient Pendant. The Kore Ambient Pendant's High Output Quadrant heat sink features a hand-blown frosted glass GEM.

The BUZZI DRUM Shade consists of "eco felt" material made of 100% upcycled plastic bottles - good for the environment because it reduces waste. The felt shade material is sound absorbent, as well as being ecologically sound! BUZZI DRUM is a pendant light that showcases a classic architectural shape that maximize surface and delivers exceptional acoustic performance.

Material: **Kore Pendant:** Aluminum and steel heat sink with Hand Blown Frosted Glass Gem. Aluminum and steel canopy with aluminum single stem suspension or SJ Cord.

Acoustic Shade Material:

BUZZI FELT - 100% Recycled P.E.T. felt from plastic bottle waste.

Shade Frame: Powdercoat finish Black.

Shade AC Suspension Cable: Stainless Steel; Black (BLK) or Aluminum (AL) finish.

Kore Ambient Pendant: One Kore Ambient Quadrant Pendant with Hand Blown Frosted Glass Gem. Anodized Aluminum Heat Sink.

Suspension/Mounting: **Kore Ambient Pendant:** Recessed Driver Enclosure (RDE) or Surface Mount Driver Enclosure (SMDE) with swivel canopy that will accommodate up to 35° (total). Contact factory for remote power supply option.

BUZZI DRUM

Shade: Acoustic architectural shade with classic shape including a black frame with 12 felt shade colors to choose from as well as many fabric options.

Shade Finish:

Shade -

BUZZI FELT: Light Blue (BFLB), Stone Grey (BFSG), Jeans (BFJE), Anthracite (BFAN), Curry (BFCU), Off-White (BFOW), Mocha (BFMO), EcoBrown (BFEB), Lime (BFLM), Pink (BFPK), Orange (BFOR), Red (BFRD). Contact factory for AL or WH Drum Shade frame (Quantities of 25+). BUZZI DRUM Shades are artistic and are made to order. As a result, there may be minor variations in pattern and color shade-to-shade within the same order. No two are exactly alike and they may vary slightly from lot-to-lot.

Shade Designer: Tegan has teamed up with an international company based in Belgium, [BUZZI SPACE](#), to utilize the BUZZI DRUM with our Kore Ambient LED Pendants. BUZZI DRUM is an artistic collaboration between BUZZI SPACE and Tegan Lighting.

Source: **Kore Ambient:** 3K LED High Output - 35W @ 2100 Lumens. 80-85 CRI typical. All values are initial lumens. For exact lumen output and wattage consumption data, please consult LM79 reports. Online power consumption does not include driver losses. Contact factory for 2700K, 3500K, 4000K or 90 CRI.

Optics: Coming Soon!

Power Supply: High Output Non-Dimming Driver 120/277V (DHO), High Output Dimming Driver 0-10V 120/277V (DHO-DM-0-10V), High Output Non-Dimming/Dimming Driver - Lutron 120/277V (DHO-LUT). Refer to Driver table on page 1 for details.



Kore LED Pendant

BUZZI Drum IP20
Medium Acoustic Shade
1 Kore LED Pendant

- Installation:** **Kore Pendant:** Refer to [Installation Instructions](#) for details.
Acoustic Shade: Shade mounts with two (2) 6.5' (2m) field-cutttable aircraft cables to the ceiling and is not structurally connected to the Pendant. Contractor to install shade to a reinforced ceiling to support the shade weight - 11.09 lbs. (5.34kg). Shade includes two (2) x fasteners and two (2) fixation M6 hardware. Ceiling screws not included.
- Accessories:** AC/Stem Extension Kit with 2 - 12' (3.6m) Aircraft Cables for Shade & 12' Stem for Pendant Suspension in Black or Stainless Steel Finish (2AC12/SEK-AL or BLK), Slope Ceiling Canopy (SSC).
- Fabric Tech:** **BUZZI FELT:** EN 13501-1 +A1: 2009; ASTM E84 Class B certified; BS476 Part 6 and 7 Class 0; CE certificated.
- Care:** Vacuum regularly to keep clean. Do not wash. Do not remove fabric from frame. Treat stains immediately; professional dry cleaning or blot with a clean soft damp cloth and a PH neutral soap.
- Labels:** CSA listed – Tested to USA UL/ANSI standards #8750 and #1598 and Canadian standards CSA C22.2, # 250.0-08 & #250.13-12. Interior applications only. LM79/80. In a continuing effort to offer the best product possible we reserve the right to change, without notice, specifications or materials. Technical specification sheets that appear on teganlighting.com are the most recent version and supersede all other versions that exist in any other printed or electronic form. 3 Year Warranty for Tegan Lighting components. 2 Year warranty for BUZZI PLEAT.

