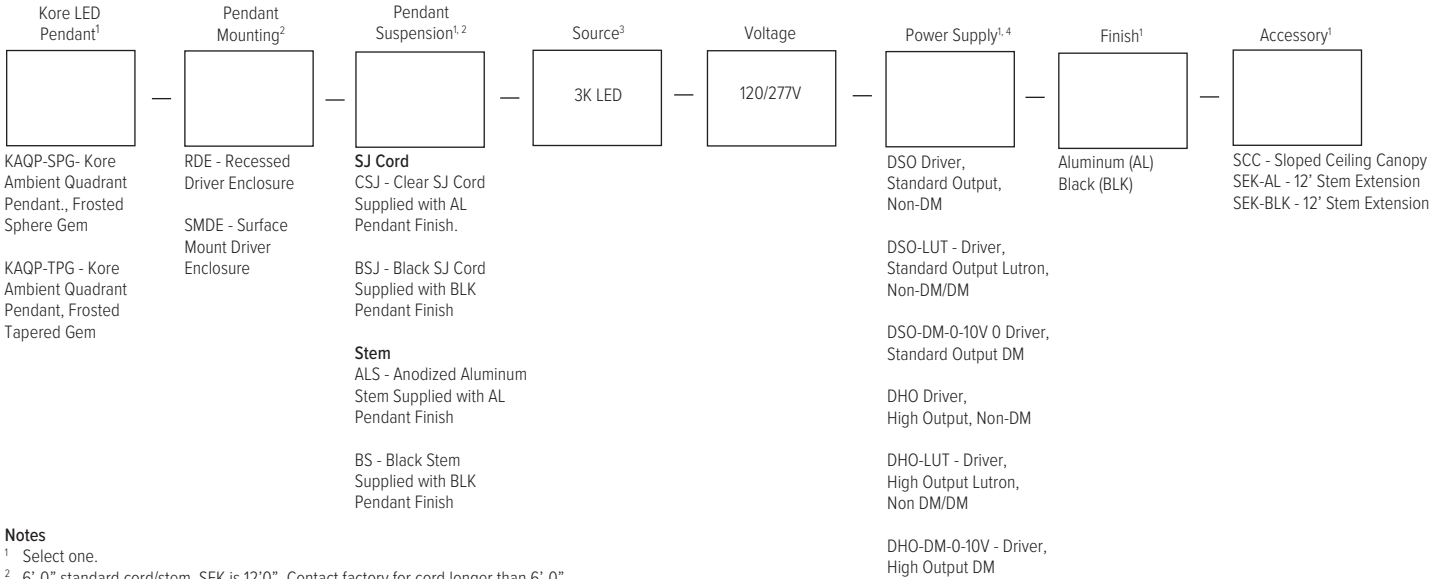


Kore LED Pendant



Catalog Example: KAQP-TPG-RDE-ALS-LED-MV-DSO-AL



- Notes**
¹ Select one.
² 6'-0" standard cord/stem. SEK is 12'0". Contact factory for cord longer than 6'-0".
³ Contact factory for alternate color temp/CRI or WARM DIM LED. ³
⁴ Refer to Driver table on p. 2 for details.

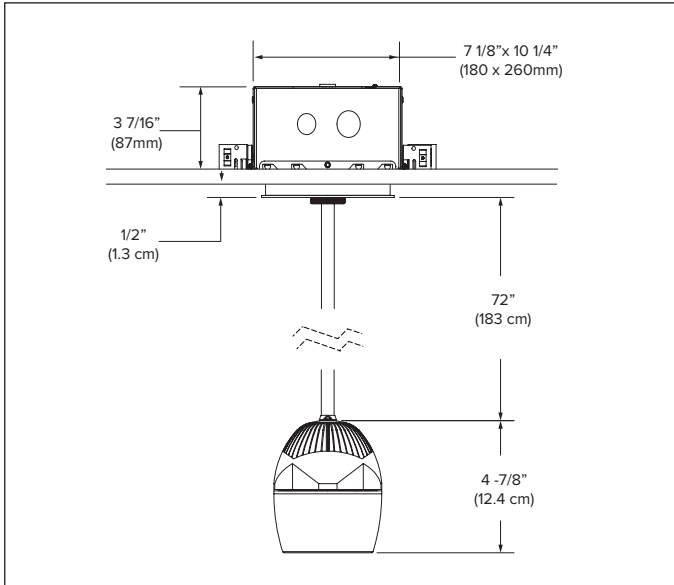
Kore Ambient - Drivers

Description	Tegan Power Supply Catalog #	Voltage	Dimming	Typical Driver Link
Kore Quadrant - LED - Standard Output Driver	DSO	120/277V	Non-DM	Thomas LED25W-56-C0450-D
Kore Quadrant - LED - Standard Output Driver - Lutron	DSO-LUT	120/277V	Non-DM/DM	Lutron L3DA4U1UKS
Kore Quadrant - LED - Standard Output Dimming Driver - 0-10V	DSO-DM-0-10V	120/277V	DM	Thomas LED25W-56-C0450-D
Kore Quadrant - LED - High Output Driver	DHO	120/277V	Non-DM	Thomas LED40W-045-C0900-M-D
Kore Quadrant - LED - High Output Driver - Lutron	DHO-LUT	120/277V	Non-DM/DM	Lutron L3DA4U1UKS
Kore Quadrant - LED - High Output Dimming Driver - 0-10V	DHO-DM-0-10V	120/277V	DM	Thomas LED40W-045-C0900-M-D

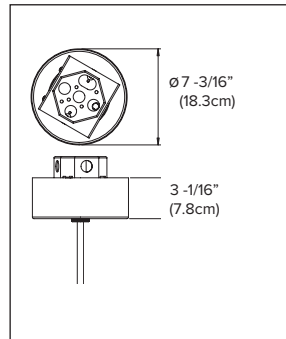
- Notes:**
¹ Refer to manufacturer's spec sheets for compatible controls and additional detail.
² Due to the rapidly evolving technology for Semiconductor products, Tegan driver options are subject to change at any time, without notice. In addition, if any of the standard drivers are out of stock or discontinued, Tegan Lighting will supply an equal as needed. Tegan can also supply alternative drivers upon request; contact the factory for details.
³ Tegan LED emitters, like all LEDs, undergo a natural depreciation in lumen output. This depreciation is within the specifications of LM-80. Extreme ambient temperatures, dusty environments, and power conditions may affect the depreciation. Wattage requirements and lumen output are subject to change with ongoing developments in LED technology.



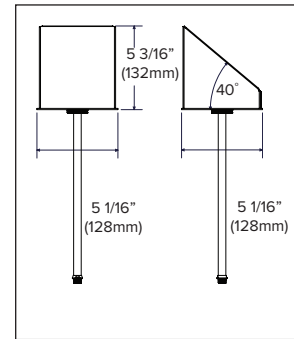
Kore LED Kore Ambient Pendant



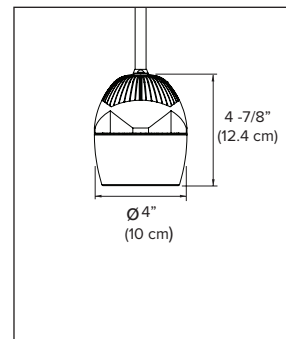
Elevation View
Kore LED Ambient Quadrant Pendant with Tapered Gem and Recessed Driver Enclosure (KAQP-TPG-RDE)



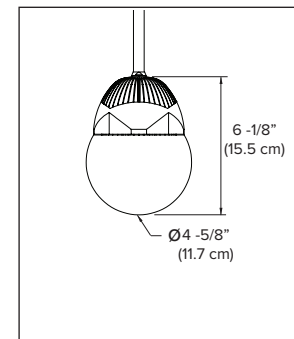
Kore Ambient Surface Mount Driver Enclosure (SMDE).



Kore Ambient Pendant - Sloped Ceiling Canopy (SCC); Elevation (left) and Section (right) views.



Kore Ambient Quadrant, Tapered Gem (KAQP-TPG)



Kore Ambient Quadrant, Sphere Gem (KAQP-SPG)

Kore LED Pendant

Kore Quadrant Pendant
Sphere, Tapered Gem
0-10V DM, IP20



Category: The Kore LED Ambient Quadrant Pendant features a highly intricate modular design with radiant fins and sculpted contours seamlessly integrating into the Sphere or Tapered Gem. The Sphere Gem provides a uniform, luminous, omnidirectional distribution. The Tapered Gem is a dual layered cylinder with a frosted center and clear perimeter providing a uniform, luminous distribution.

Material: Kore Ambient Quadrant Pendant - Aluminum and steel.
Sphere Gem: Frosted glass.
Tapered Gem: Dual layered cylinder with a frosted center and clear perimeter.
Aluminum and steel canopy and recessed driver enclosure with field-cuttable Clear or Black SJ cord or aluminum stem suspension.

Finish: Heat Sink: Anodized Aluminum (AL), Anodized Black (BLK).

Suspension/

Mounting: Recessed Driver Enclosure (RDE) or Surface Mount Driver Enclosure (SMDE) with field-cuttable 6' (2m) SJ Cord or Stem (S) with swivel canopy that will accommodate up to 35° (total) adjustment.

Kore/Gem: Kore Ambient Quadrant Pendant with Sphere Gem (KAQP-SPG), Kore Ambient Quadrant Pendant with Tapered Gem (KAQP-TPG).

Source: 3K LED Standard Output - 25W @ 1250 Lumens, High Output - 35W @ 3000 Lumens. 80-85 CRI typical. All values are initial lumens. For exact lumen output and wattage consumption data, please consult LM79 reports. Online power consumption does not include driver losses. Contact factory for 2700K, 3500K, 4000K or 90 CRI. NOW AVAILABLE: CONTACT FACTORY FOR "WARM DIM" LED OPTION.

Optics: Refer to [Photometric Report](#) for details.

Power

Supply: Standard Output Non-Dimming Driver 120/277V (DSO), Standard Output Dimming Driver 0-10V 120/277V (DSO-DM-0-10V), Standard Output Non-Dimming/Dimming Driver - Lutron 120/277V (DSO-LUT), High Output Non-Dimming Driver 120/277V (DHO), High Output Dimming Driver 0-10V 120/277V (DHO-DM-0-10V), High Output Non-Dimming/Dimming Driver - Lutron 120/277V (DHO-LUT). Refer to Driver table on page 1 for details.

Installation: Refer to [Installation Sheet](#) for more details.

Accessories: 12' Stem Extension Kit in Anodized Aluminum or Black Finish (SEK-AL or BLK), Slope Ceiling Canopy (SCC); Emergency Battery Back-Up - Contact factory.

Labels: CSA listed – Tested to USA UL/ANSI standards #8750 and #1598 and Canadian standards CSA C22.2, # 250.0-08 & #250.13-12. Interior applications only. LM79/80. Contact Factory for IP65. In a continuing effort to offer the best product possible we reserve the right to change, without notice, specifications or materials. Technical specification sheets that appear on teganlighting.com are the most recent version and supersede all other versions that exist in any other printed or electronic form. 3 Year Warranty.

