

Category: The Zia Shade is another striking shade option for the Kore LED Ambient Pendant. Zias are woven with natural rattan in two distinct organic compositions. The warm glowing center enhances the free-flowing texture. These distinctive designs complement all interiors and add the element of surprise. Specify the Zias with the Kore Ambient - Quadrant Pendant with Flat Gem (KAQP-FG).

The **Kore LED Pendant** is a modularized design with a variety of gems, unique shades, finishes and mounting options. Designers can specify one of Tegan's Gems and/or shades or design their own unique concepts.

Material: Kore LED Pendant: Aluminum (AL) and steel heat sink and mounting. Flat Gem: Frosted acrylic. Shade: Natural rattan (N).

Suspension/ Mounting: Recessed Driver Enclosure (RDE) or Surface Mount Driver Enclosure (SMDE) with field cuttable 6' (2m) Stem (SS) with swivel canopy that will accommodate up to 35° (total) adjustment for all shade options, or field-cuttable Clear SJ Cord (CSJ). Contact factory for ceiling mount.

Kore/Gem: Kore Ambient - Quadrant Pendant with Flat Gem (KAQP-FG).

Shade: 18" Zia Shade (Z18) or 26" Zia Shade (Z26). Natural, hand-woven materials are subject to inconsistency in color/pattern, texture, shape and may vary from shade-to-shade slightly. They may also change in appearance over time.

Source: LED -Standard Output (LEDSO) - 15W @ 850 Lumens, LED High Output (LEDHO) - 38W @ 2200 Lumens with 80-85 CRI typical. All values are initial lumens. Standard Output recommended when no shade is used; High Output is recommended with a shade; dimming capability is also recommended. For exact lumen output and wattage consumption data, please consult LM79 reports online. Power consumption does not include driver losses. Contact factory for 3500K, 4000K or 90 CRI.

Optics: Refer to [Photometric Report](#) for details.

Power Supply: High Output Non-Dimming Driver 120/277V (DHO), HighOutput Dimming Driver 0-10V-120/277V (DHO-DM-0-10V), High Output Non-Dimming/Dimming Driver - Lutron 120/277V (DHO-LUT). Refer to Driver table on page 2 for details.

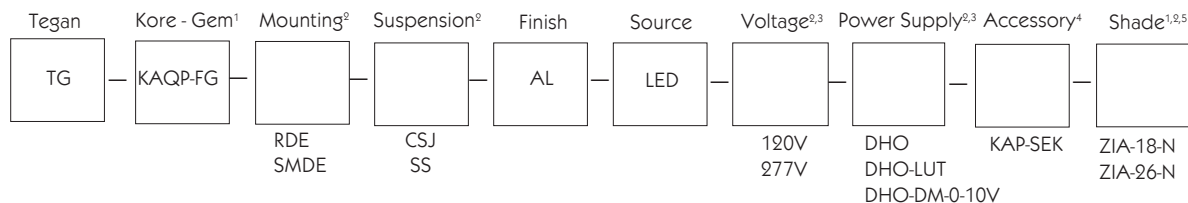
Installation: Refer to [Installation Instructions](#) for details.

Accessories: Kore Ambient Pendant Stem Extension Kit (KAP-SEK); field-cuttable up to 12' max.; contact factory for longer lengths. Slope Ceiling Adapter and Emergency Battery Back-Up - Contact factory.

Labels: CSA listed – Tested to USA UL/ANSI standards #8750 and #1598 and Canadian standards CSA C22.2, # 250.0-08 & #250.13-12.IP20. Refer to linked specification sheets above for complete listing information for the LED pendant. Interior use only. In a continuing effort to offer the best product possible we reserve the right to change, without notice, specifications or materials. Technical specification sheets that appear on teganlighting.com are the most recent version and supersede all other versions that exist in any other printed or electronic form. 3 Year Warrantee.



Example: TG - KAQP - FG - RDE - CSJ - AL - LED - 120V - DHO - Zia - 18 - N



Notes:

¹ Tegan Lighting's Kore Ambient Pendants are designed to be modular systems so that shades can be easily attached and exchanged for other finishes.

² Select one.

³ Refer to Driver table below for details.

⁴ 12' - 0" maximum. Contact Factory for longer lengths.

⁵ Zia shades are hand-woven with natural materials and are subject to inconsistency in color/pattern, texture, shape and may vary slightly from shade-to-shade.

Kore LED Ambient Orb & Quadrant Pendant - Drivers

Description	Tegan Power Supply Catalog #	Voltage	Dimming	Typical Driver Link ^{1,2,3}
Kore Orb/Quadrant - LED - High Output Driver	DHO	120/277V	Non-DM	Thomas LED40W-045-C0900-M-D
Kore Orb/Quadrant - LED - High Output Driver - Lutron	DHO-LUT	120/277V	Non-DM/DM	Lutron L3DA4U1UKS
Kore Orb/Quadrant - LED - High Output Dimming Driver - 0-10V	DHO-DM-0-10V	120/277V	DM	Thomas LED40W-045-C0900-M-D

Notes:

¹ Refer to manufacturer's spec sheets for compatible controls and additional detail.

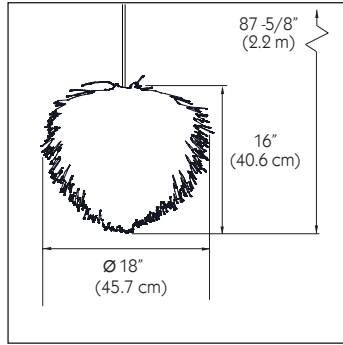
² Due to the rapidly evolving technology for Semiconductor products, Tegan driver options are subject to change at any time, without notice. In addition, if any of the standard drivers are out of stock or discontinued, Tegan Lighting will supply an equal as needed. Tegan can also supply alternative drivers upon request; contact the factory for details.

³ Tegan LED emitters, like all LEDs, undergo a natural depreciation in lumen output. This depreciation is within the specifications of LM-80. Extreme ambient temperatures, dusty environments, and power conditions may affect the depreciation. Wattage requirements and lumen output are subject to change with ongoing developments in LED technology.

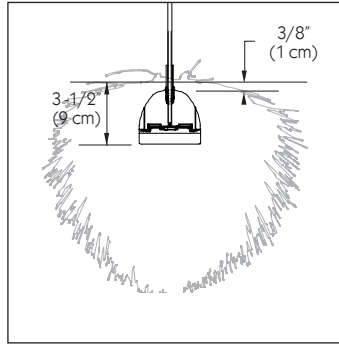
⁴ Contact factory for Advance drivers.



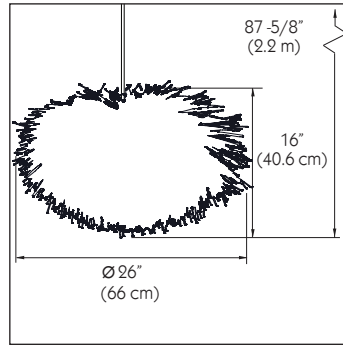
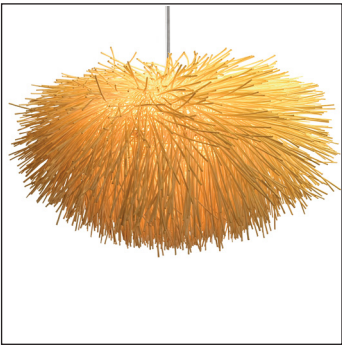
Zia - Pendant



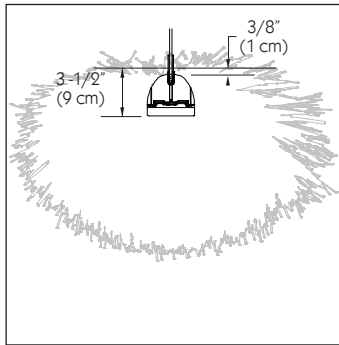
18" Zia - Pendant Mount (Z18)



Kore Ambient Flat-Gem Location



26" Zia - Pendant Mount (Z26)



Kore Ambient Flat-Gem Location

