



Category: Tegan Lighting offers a wide variety of 24VDC drivers that are compatible with Exton Monopoints and Systems for various layouts. For direct burial applications Tegan is offering Q-Tran's Q-Set system. QSET-eLED is Q-Tran's IP68 direct burial and outdoor rated electronic power supply, utilizing the Xitanium driver from Advance. These drivers provide a 24VDC, constant voltage output, with 0-10V dimming.

Exterior Enclosure: IP68
 Exterior Mount
 Direct burial Q-Vault-5 housing with 1 or 2 LED 24VDC drivers to provide a clean minimalist aesthetic.
 Q-Vault-5-QSET-eLED-1x100W-UNV-24VDC-0-10V
 Q-Vault-5-QSET-eLED-2x100W-UNV-24VDC-0-10V (for 2 Circuit operation)
 Required IP68 Housing Fittings (Q-Wire, Q-Click Fitting & Q-Click Insert):
 Q-Wire: Water Tight Fitting - Q-Click-0.50MST, Q-Click-0.50NPT, Q-Click-0.75MST, Q-Click-0.75NPT, Q-Click-1.0MST, Q-Click-1.25MST.
 Q-CLICK Insert: Q.500-1B, Q.500-2A, Q.750-1C, Q.750-1D, Q.750-2B, Q.750-3A, Q.750-1E, Q.750-#10.SW, Q.750-#12.SW, Q1.00-2C, Q1.00-3B, Q1.00-5A, Q1.25-5C, Q1.25-6B, Q1.25-A8.
Note: For complete water-tight guarantee, either feed in/out of Q-Vault-5 with conduit and standard fittings OR if cabling in/out of Q-Vault-5, use of Q-Tran's Q-Click fittings and Q-Wire stranded wire is required. Warranty is void if these components are not used. Refer to the [Q-Tran Water Trac Fittings Guide](#) for details.
 Refer to Q-Tran's [QSet-eLed Specification sheet](#) and [Q-Tran Water Trac Fittings Guide](#) for details.
 Q-Vault-5 ships with a Perforated Drain Pipe, Stabilizing Bars and a Q-Vault Installation kit. Refer to Q-Vault- Housing Options Spec Sheet.

Material/Finish: Housing: Compression Mold. Refer to [Q-Vault-5 Features Specification sheet](#).
 Wire: Refer to [Q-Wire Specification sheet](#).

Systems: [Exton Monopoint](#), [Exton Cable](#). Refer to linked Specsheets and Installation Sheets for system details. Remote Power Supplies are required for all Exton Cable and Monopoint systems.

Drivers: Refer to [QSet-eLed Specification sheet](#) for details. The Exton Series can only be installed with Tegan Lighting or Q-Tran power supplies. Alternative drivers voids the Listing and Warranty.

LED Modules: Compatible with Kore-EX5. Total Input Power 6.5W. Specified separately.

Wire: Q-Wire is stranded type "NM" (Non-metallic wire) for Low Voltage runs both outdoor, indoor, underground and residential (single dwelling indoor).
 Wire Size Options: QW-14/2 AWG, QW-12/2 AWG, QW-10/2 AWG, QW-8/2 AWG, QW-12/2+GND AWG.
 Wire can be ordered in any cut length up to 200'. For any length over 200', order a 500' reel. Use Q-Tran, Q-Wire with Q-Vault-5 (only). Refer to [Q-Wire Specification Sheet](#) for details and Wire Length Table for proper wire size vs. remote distance.

Accessories: Q-Vault-5 Housing:
 Concrete Pour Ring (QDB-SS-C), Bronze Plate Cover (QDB-BCP), Steel Diamond Plate Cover (QDB-DCP), Lawn Guard Ring (QVAULT-T5-FMRING) - Refer to Q-Vault-5 [Concrete Pour Ring Installation](#), and [Housing Options Specification Sheet](#), Q-TWO - Direct Burial LV Wire-to-Wire Splice Connector (Q-TWO), Q-Wire Stripper (Q-WSP), Q-Mod* (Q-MOD), Q-Mod Housing Plate (Q-MP). Refer to [Q-Wire Specification Sheet](#) for details.
 * Q-MOD: Splits a 25AMP feed into two (2) 12.5 AMP outputs. This allows for a 14AWG thin wire to run up a tree. [Refer to Q-MOD Specsheets](#) for details.

Installation: Refer to [Q-Vault](#), [Q-SET-eLED](#), [Q-Vault Concrete Pour Ring](#) Installation Specsheets for details.

Labels: Exton: CSA #239924. Low Voltage Lighting Systems. CS A Class 3426 04 and Class 3426 94. CSA Standard C2 2.2 No. 250.0-08 - Luminaires. ANSI/ UL Standard 2108. Q-Vault: Refer to [Q-Vault Installation Instructions](#) for listing information.

In a continuing effort to offer the best product possible we reserve the right to change, without notice, specifications or materials. Technical specification sheets that appear on teganlighting.com are the most recent version and supersede all other versions that exist in any other printed or electronic form.





Direct Burial IP68 Power Supply - Order Guide

Complete Housing Description (Cat. Code)

IP68 Q-Vault-5 Direct Burial Black Housing with one (1) Q-SET-eLED-24VDC Driver, 120/277V
(Q-Vault-5-QSET-eLED-1x100W-UNV-24VDC-0-10V)

IP68 Q-Vault-5 Direct Burial Black Housing with two (2) Q-SET-eLED-24VDC Drivers for 2-circuit operation, 120/277V
(Q-Vault-5-QSET-eLED-2x100W-UNV-24VDC-0-10V)

Note: For complete water-tight guarantee, either feed in/out of Q-Vault-5 with conduit and standard fittings OR if cabling in/out of Q-Vault-5, use of Q-Tran's Q-Click fittings and Q-Wire stranded wire is required. Warranty is void if these components are not used. Refer to the [Q-Tran Water Trac Fittings Guide](#) for details.

Q-Wire - QW-14/2 AWG (QW-14/2 AWG)

Q-Wire - QW-12/2 AWG (QW-12/2 AWG)

Q-Wire - QW-10/2 AWG (QW-10/2 AWG)

Q-Wire - QW- 8/2 AWG (QW-8/2 AWG)

Q-Wire - QW-12/2+GND AWG (QW-12/2+GND AWG)

Water Tight Fitting - Q-Click-0.50MST (Q-Click-0.50MST)

Water Tight Fitting - Q-Click-0.50NPT (Q-Click-0.50NPT)

Water Tight Fitting - Q-Click-0.75MST (Q-Click-0.75MST)

Water Tight Fitting - Q-Click-0.75NPT (Q-Click-0.75NPT)

Water Tight Fitting - Q-Click-1.0MST (Q-Click-1.0MST)

Water Tight Fitting - Q-Click-1.25MST (Q-Click-1.25MST)

Q-CLICK Insert - Q.500-1B (Q.500-1B)

Q-CLICK Insert - Q.500-2A (Q.500-2A)

Q-CLICK Insert - Q.750-1C (Q.750-1C)

Q-CLICK Insert - Q.750-1D (Q.750-1D)

Q-CLICK Insert - Q.750-2B (Q.750-2B)

Q-CLICK Insert - Q.750-3A (Q.750-3A)

Q-CLICK Insert - Q.750-1E (Q.750-1E)

Q-CLICK Insert - Q.750-#10.SW (Q.750-#10.SW)

Q-CLICK Insert - Q.750-#12.SW (Q.750-#12.SW)

Q-CLICK Insert - Q1.00-3B (Q1.00-3B)

Q-CLICK Insert - Q1.00-5A (Q1.00-5A)

Q-CLICK Insert - Q1.25-5C (Q1.25-5C)

Q-CLICK Insert - Q1.25-6B (Q1.25-6B)

Q-CLICK Insert - Q1.25-A8 (Q1.25-A8)

Housing Accessories Description (Cat. Code)

Concrete Pour Ring (QDB-SS-C)

Bronze Plate Cover (QDB-BCP)

Steel Diamond Plate Cover (QDB-DCP)

Lawn Guard Ring (QVAULT-T5-FMRING)

Q-TWO - Direct Burial LV Wire-to-Wire Splice Connector (Q-TWO)

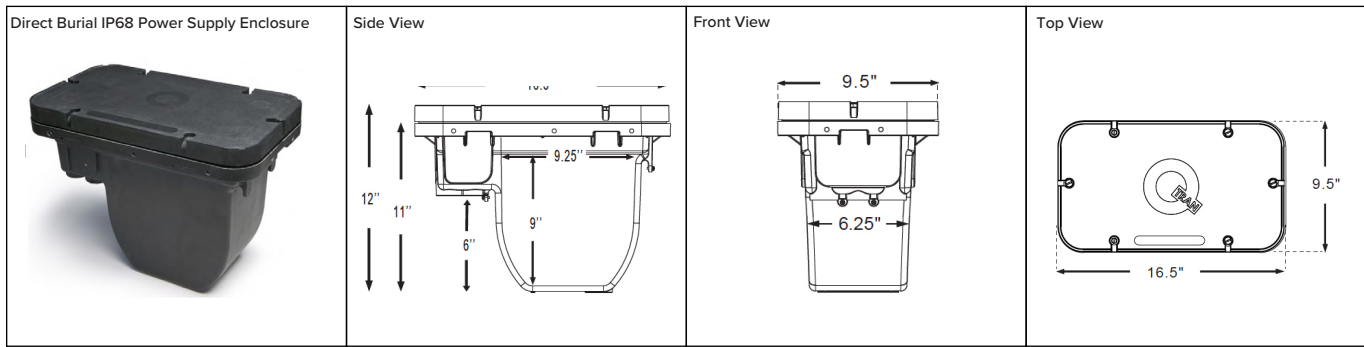
Q-Wire Stripper (Q-WSP)

Q-MOD - (Q-MOD)

Q-MOD Mounting Plate (Q-MP)



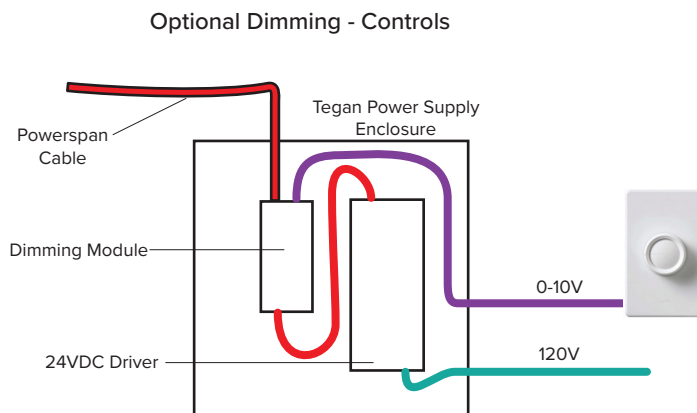
Power Supply Enclosures - DIRECT BURIAL IP68 ¹



Notes:

¹ Exton System, Monopoints and LED Modules are specified separately. Refer to the linked Specification Sheets on p. 1 for more detail.

Power Supply - Exton Installation Guidelines



Tegan's Power Supplies consist of an enclosure with a 24VDC driver and an optional Dimmer Module. Wire into the output of a dedicated Exton 24VDC driver provided by Tegan Lighting & Q-Tran (only).

Power Supply - LED Module Loads¹

100W - Will operate 11 (max.) Kore-EX5 Modules or 14-ft of EX-SOLO.²

100W Dimming Driver: Q-Vault5-QSET-eLED-1x100W-UNV-24VDC-0-10V

200W - Will run 2 independent spans of 11 Exton Modules maximum each or 14-ft maximum each of EX-SOLO.²

200W Dimming Driver: Q-Vault5-QSET-eLED-2x100W-UNV-24VDC-0-10V



¹ Recommended De-Rating: Like all electronic power supplies, life is significantly increased when loads are 80% or less of the nominal power capacity. Best life is in climate controlled conditions, or when the power supply stays below 70C. The type of enclosure and ambient environment can affect the operating temperature, and therefore the lifetime of the power supply. For all Tegan Lighting enclosures, load power supplies to only 80% of their nominal. These are general suggestions to increase the life of the supply in moderate climates; the actual operating lifetime of the power supply depends on the actual environment and use. Do not operate the power supplies during the day with direct sunlight with extreme hot temperatures.

² To calculate max capacity for combined EX5-Module and EX-SOLO fixtures on same span, start with max module count and remove (1) module for every (1) foot of Solo added.

Loading and Operation Guidelines:

It's important not to exceed these guidelines in order to prevent damage to the Power Supply or cause problems with performance:

- Load power supplies at 80% of their maximum nominal output.
- Do not exceed 150 feet between last EX5 module (i.e. the module farthest away from the Power Supply) and the Power Supply.
- Do not group EX5 modules near the end of a long run; on a 150 foot span, keep the average distance from EX5s to Power Supply about 75 feet.
- The length of the Powerspan Cable, and any intermediate remote wiring, must be counted together (ie with a 100' span, and 50' of building wire between the start of the span and the powersupply, one would be at the maximum 150' distance).
- Do not operate in environments above 40C/104F ambient air temperature.
- Refer to Q-Set-eLED Spec Sheet for operating temperatures.
- The Polarity of the drivers output to the Exton Powerspan Cable does not matter.

Exton Power Supply - Installation Guidelines



Direct Hook-up to Power Supply

Exton Powerspan cable is NOT rated for direct burial. Therefore, Q-wire and Q-wire accessories must be used to enter/exit the Q-Vault-5 to maintain the IP68 rating if connecting via cable. A Junction-Box by others must be used to splice the supply from the Q-wire to Powerspan cable. Conduit can be used for feeding in/out of the Q-Vault-5 as an alternative to the Q-wire and Q-tran fittings, but a junction box by others is still required. For further details on required fittings and supplies, review the installation instructions.

Exton Powerspan Cable and LED Module connections should not be made below the outdoor ambient temperature of 50F/10C.

Refer to [Exton Q-Tran Installation Sheet](#) for more details.

