

HOW TO SPECIFY

MINI-KORE PENDANT MOUNTED TO CENTRO TRAC SYSTEM WITH REMOTE POWER

STEP 1

- Start with the Centro Trac Type
- Determine the number of RUNs and the length of each RUN. If the runs are over 8', a Connector is required.
- Determine Centro System Mounting type



Example:
8' Centro Trac, Aluminum



Centro Ceiling Anchor, Aluminum



Centro Ceiling Anchor - Cable, Aluminum

STEP 2

- Pick a Spot and/or a Mini-Kore Pendant to mount to the Centro Trac
- Determine Quantity of Spots and/or a Mini-Kore Pendant for each Run
- Determine the total for Centro Trac, Mounting, Connectors, Power Feeds and End Caps to make a complete system



Example:
2 - 24VDC LED dedicated Lia Spot with Centro Spot Connector, Aluminum



6 - 24VDC LED Mini-Kore Pendant with Centro Trac Connector, Aluminum Finish, Candelabra Gem, Clear SJ Cord with 6" Karton Conic Shade, Natural Cardboard



3 - Centro Ceiling Anchor, Aluminum



4 - Centro Ceiling Anchor - Cable, Aluminum



4 - 8' Centro Trac to make two 10' Runs, Aluminum



1 - Centro Single Feed Canopy, Aluminum



1 - Centro Power Canopy, Aluminum



2 - Centro Adjustable Coupler, Aluminum

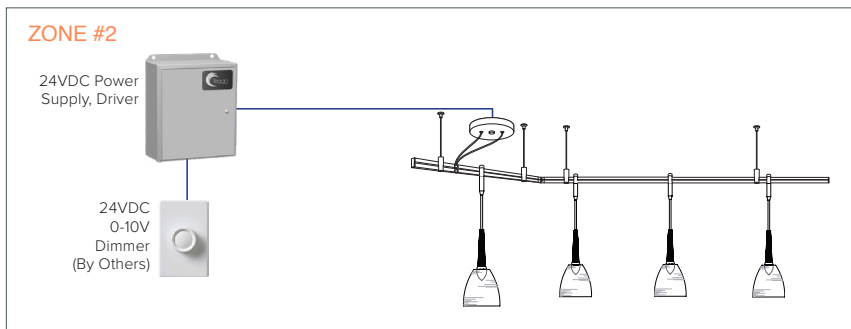
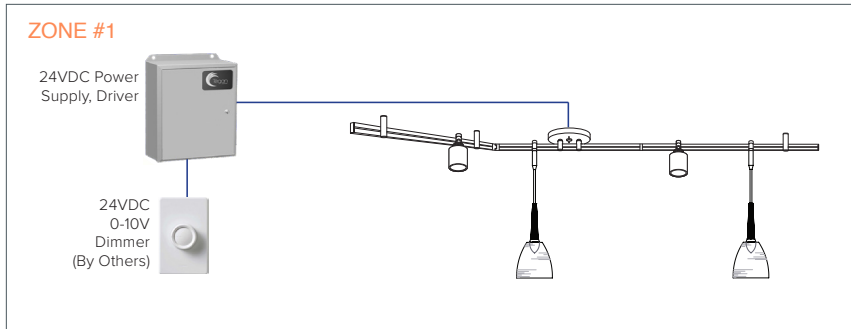


4 - Centro End Cap, Black

STEP 3

- Determine Zoning. i.e. the number of Runs to be controlled together. There may be one or many Zones, with the same or different quantity of Runs in each Zone.
- Pick the required wattage Power Supply based on the number of Spots/Mini-Kore Pendants per Zone.

See diagrams on the next page.



NOTES:

- Refer to the Centro Trac specification sheet for System Mounting options.
- 24VDC Spots (only) & 24VDC Mini-Kore Pendants can be installed on the same Centro Trac run with a 24VDC Power Supply.
- Centro Trac is field-cutttable.
- Max 300W per circuit.