

1. CAUTION: Read all instructions.

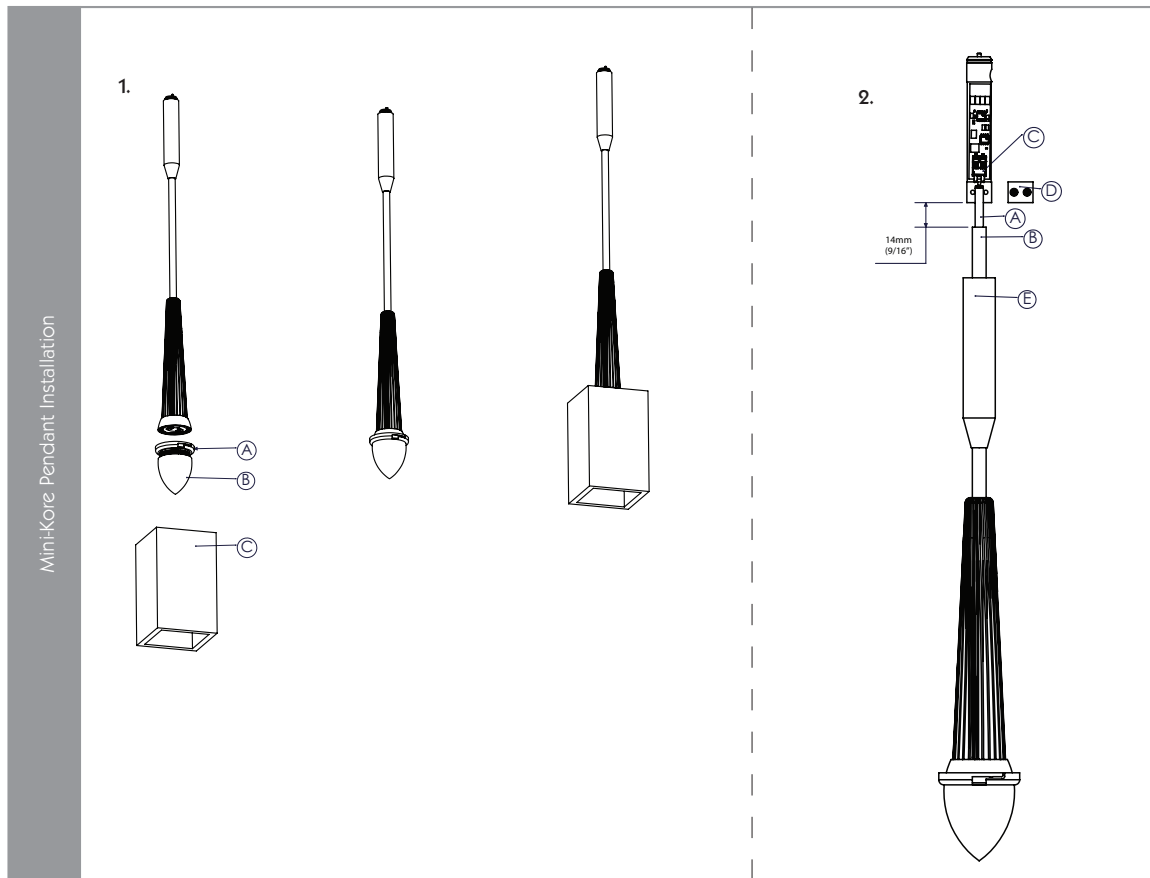
- Do not install any Pendant closer than six inches from any curtain or similar combustible material.
- Do not install this system in a damp or wet location.
- Turn off electrical power before modifying the lighting system in any way.
- Ensure the Pendant connector is attached correctly to the system with no cross threading and is tightened down completely to make contact with the top of the Trac.
- Ensure all connections are tight. Loose connections can cause overheating, arcing and a potential fire risk.
- Use only as described in these Tegan Lighting Installation Instructions.
- Use only Tegan Lighting supplied accessories.
- Luminaires may be extremely hot, allow to cool before touching.
- These are 24VDC Pendants; they must be connected to an appropriate 24VDC power supply. Refer to Specification Sheets.
- For proper installation, have a qualified electrician install this product.
- This luminaire must be wired and grounded in accordance standard accepted electrical installation practices, local codes, and ordinances.
- Wire supply connections must be made with U.L. or comparable testing agency-approved connectors.
- Regular cleaning of these products is important. Switch off at main supply and allow to cool before touching. Clean fittings with a soft damp cloth and allow to dry before reconnecting power supply.



Mini-Kore Pendant; Aluminum Finish;
Candelabra Gem; SJ Cord
(MKP-AL-CAND-SJ)



Mini-Kore Pendant; Black Finish;
Cylinder Gem, Stem
(MKP-BLK-CYL-SS)



1. Mini Kore Systems:

- Mini-Kore Pendants connect to Tegan's Centro Trac, Retraco, Duplex Cable and Monopoint Systems. All require System Connectors except with Monopoints. **Note: Mini-Kore cannot be installed with a Centro, Retraco or Duplex Cable Systems on a sloped ceiling. Contact factory for a sloped ceiling solution for these systems. Use a Universal Sloped Ceiling Adapter (USCA) when installing Mini-Kore on a Monopoint.**

2. Attaching Shades:

- Insert shade Hub A onto the acrylic Gem B, aligning tabs.
- Thread Gem B into Mini-Kore Module. Make sure it's moderately tight.
- Shade C inserts up into the Hub A and then twists clockwise to snap into place.

3. Cutting lengths:

- Cut and strip cord A to the desired length.
- Optional stem B should be cut as well.
- With a small tool, depress tabs on Connector C to allow insertion of wires. Check labels for polarity.
- Re-attach cable clamp D.
- Use cover E to attach to mating Trac Connector. Utilizing the "Twist & Click" system, the Pendant clicks into the jack plug socket, then the threaded jacket screws into position to lock the Connector in place.

4. Cleaning Instructions for Shades:

- Benton (solid concrete) and Vidro (glass): Clean with a damp cloth with mild soap and water.
- Karton (cardboard), Seine/Tulle (concrete fabric) and Labyrinth (woven cotton/hemp): Vacuum gently with a soft upholstery brush only.
- Knitted (yarn): Dry clean or vacuum with a soft upholstery brush attachment. Do not machine wash!

