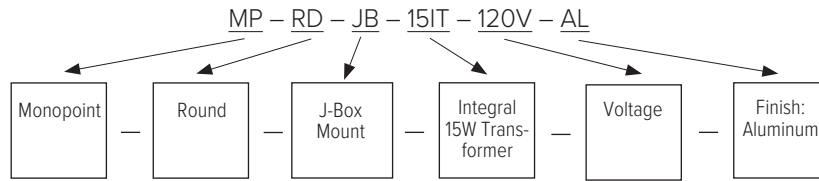
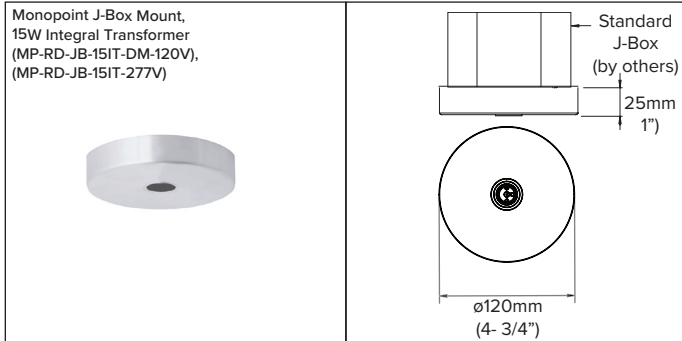


## CATALOG NUMBER LOGIC



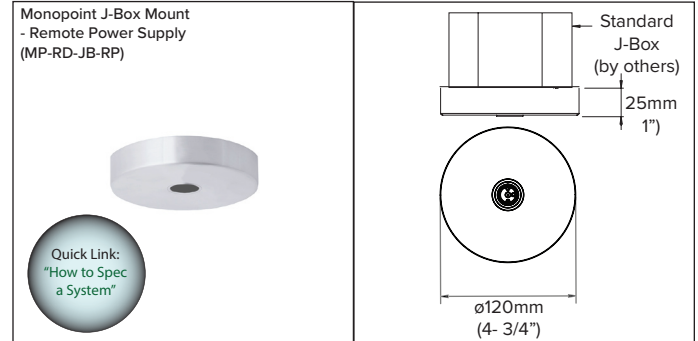
### Round J-Box Mount Monopoint



Round J-Box Mount Monopoint, Integral 15W Transformer, 120V or 277V, Aluminum, Black, White or Bronze Finish

**Catalog Number**

MP-RD-JB-15IT-DM-120V-AL, BLK, WH or BRZ (Dimming)  
 MP-RD-JB-15IT-277V-AL, BLK, WH or BRZ (Non-Dimming)

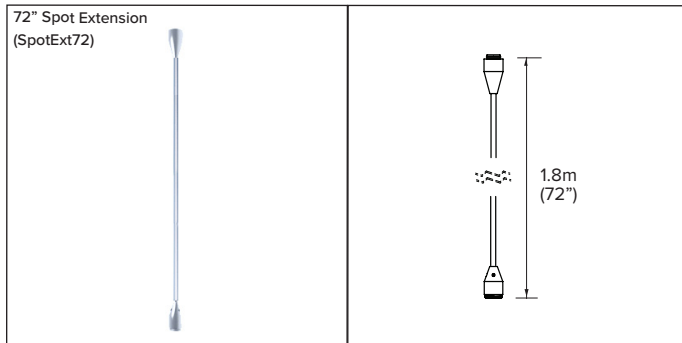


Round J-Box Mount Monopoint, Remote Power Supply, Aluminum, Black, White or Bronze Finish

**Catalog Number**

MP-RD-JB-RP-AL, BLK, WH or BRZ  
**For use with Remote Power Supply(s) and Spots; ordered separately.** - See page 3 for links to order Power Supply(s).

### Round J-Box Mount Monopoint - Accessories

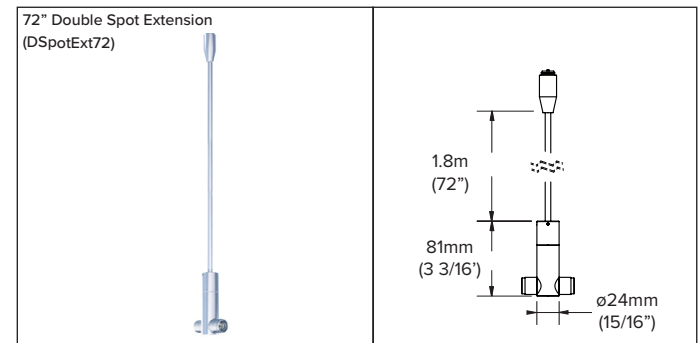


72" Spot Stem Extension, Aluminum, Black or White Finish

**Catalog Number**

SpotExt72-AL, BLK or WH

Spot Stem Extension for use with Monopoints. Attaches to the Spot for an extension up to 72". Spot Extensions can be shortened in the field or at the factory for an additional cost. Note: A Sloped Ceiling Adapter must be added for use in Sloped Ceilings with Monopoints. Contact factory for special order Bronze, Brushed Brass or Polished Brass finish. Minimum quantity may apply.



72" Double Spot Extension, Aluminum or Black Finish

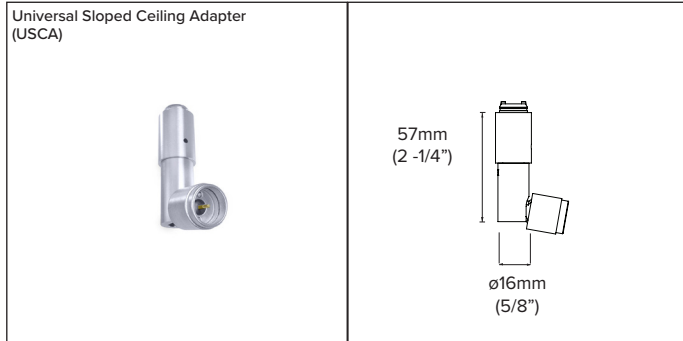
**Catalog Number**

DSpotExt72-AL, BLK or WH

Double Spot Extension for mounting two spotlights. Attaches to the Spot with an extension up to 72". The Double Spot Extension can be shortened in the field or at the factory for an additional cost. Note: Due to the weight of the Spots, the Double Spot Extension cannot be used for sloped ceiling applications with Monopoints; contact factory for special order options. Contact factory for White, Brushed Brass, Bronze or Polished Brass finish. Minimum quantity may apply. Refer to [Installation Instructions](#) for details.

# Monopoint Systems

## Double Recessed Enclosure Monopoint - Accessories



### Universal Sloped Ceiling Adapter, Aluminum, Black or White

**Catalog Number**

USCA-AL, BLK or WH

The Universal Sloped Ceiling Adapter allows for angle adjustment of any Spotlight when connected to a Monopoint installed on a sloped ceiling. Tilts 90° and rotates 350°. Contact factory for Brushed Brass, Polished Brass or Bronze finish. Minimum quantity may apply.

### 12VAC Integral Transformer for Round J-Box Mount Monopoint<sup>1,2,3,4</sup>

Catalog Code	Driver Description	Watts	Min / Max	Typical Transformer Links
MPRD-15IT-DM-120V	15W-Electronic-12VAC-120V	15W	3W/15W	<a href="#">Hatch-RL LED Series</a>
MPRD-15IT-277V	15W-Electronic-12VAC-277V	15W	3W/15W	<a href="#">Hatch-RL LED Series</a>

**Notes**

- <sup>1</sup> Due to the rapidly evolving technology for Semiconductor products, Tegan driver options are subject to change at any time, without notice. In addition, if any of the standard drivers are out of stock or discontinued, Tegan Lighting will supply an equal as needed. Tegan can also supply alternative drivers upon request; contact the factory for details.
- <sup>2</sup> Minimum and maximum wattage information provided by the driver manufacturer, refer to linked driver specification sheets for more detail and verification. Subject to change.
- <sup>3</sup> Tegan LED emitters, like all LEDs, undergo a natural depreciation in lumen output. This depreciation is within the specifications of LM-80. Extreme ambient temperatures, dusty environments, and power conditions may affect the depreciation. Wattage requirements and lumen output are subject to change with ongoing developments in LED technology.
- <sup>4</sup> 12VAC dimming transformers are Electronic (ELV) only. 277V = Non-Dimming.



**Category:** The Round Monopoint is ideal for installations that require mounting a Spotlight to a J-box.  
Integral Power Supply Version: Supplied with an integral 15W 12VAC Transformer, 120V or 277V for use with 12VAC MR-16 LED Spots. Spot; ordered separately.

Remote Power Supply Version: Can be specified with a 12VAC Transformer 120V or 277V for use with 12VAC MR-16 LED Spots or a 24VAC Driver (not integral) for use with a dedicated LED Spot. Spot and Power Supply; ordered separately.

**Note: Shown as installed with a 12VDC MR-16 Arlo Spotlight, not included with Monopoint; specify desired Spotlight separately.**

**Material:** Extruded and machined aluminum.

**Finish:** Brushed Aluminum (AL), Matte White (WH), Matte Black (BLK), Oil-Rubbed Bronze (BRZ). Brushed Brass (BBR), Polished Brass (PBR) (Special Order. Minimum 25).

**Monopoint:** Integral Power Supply: J-Box Monopoint - 15W Integral 12VAC Transformer - 120V or 277V (MP-RD-JB-15IT-DM-120V), (MP-RD-JB-15IT-277V) for MR-16 LED Spots.  
Remote Power Supply: J-Box Monopoint - Remote Power Supply (MP-RD-JB-RP); For a remote 12VAC Transformer or 24VDC Driver. Power supplies specified separately. Refer to links below.

**Accessories:** 72" Spot Extension (SpotExt72), 72" Double Spot Extension (DSpotExt72), Universal Sloped Ceiling Adapter (USCA). Refer to pages 1 and 2 for finish options.

**Source/Spot:** Integral Power Supply Version: Spot and lamp ordered separately. Refer to linked Spotlight Specification sheets on pages 4-5 for details. In-rush may be a factor with other manufacturers' LED MR-16 lamps; refer to lamp manufacturers' spec sheets. to determined the correct power supply wattage required for the number of lamps specified.  
Remote Power Supply Version: 12VAC transformer, Spot and lamp ordered separately or 24VDC driver and dedicated LED Spot ordered separately. Refer to pages 4 & 5 for links to Spot Spec sheets.

**Integral Power Supply:** Refer to the Power Supply Chart on p. 2 for details. NOTE: 12VAC transformers are Electronic (ELV) only. In-rush may be a factor with other manufacturers LED MR-16 lamps; refer to lamp manufacturers' spec sheets.

**Remote Power Supply:** Ordered separately. Refer to [24VDC Driver Specs sheet](#), [12VAC Electronic Transformer Specs sheet](#) or [12VAC Magnetic Transformer Specs sheet](#) for Power Supply options. NOTE: For dimming LED MR-16 lamps (Sora) with electronic/magnetic transformers, please refer our [MR-16 LED Specs sheet](#) for technical details and to determined the correct power supply wattage required for the number of lamps specified and to determine the correct power supply wattage required for the number of lamps specified. In-rush may be a factor with other manufacturers LED MR-16 lamps; refer to their spec sheets.

**Installation:** Refer to [Installation Instructions](#) for details.

**Labels:** ETL & CE Listed; Tested to UL 1574 - Issue: 2004/09/07 Ed: 3 Rev:2012/01/25 UL Standard for Safety Track Lighting Systems. IP20. Interior use only. In a continuing effort to offer the best product possible we reserve the right to change, without notice, specifications or materials. Technical specification sheets that appear on [teganlighting.com](#) are the most recent version and supersede all other versions that exist in any other printed or electronic form. 3 Year Warranty.



# Monopoint Systems

IP20 Round J-Box Mount  
Integral Transformer - 12VAC Triac DM  
Remote Power - 12VAC Triac, 24VDC 0-10V DM

## Round J-Box Mount Monopoint - 12VAC Spotlights



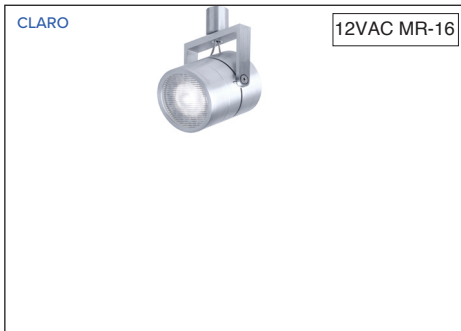
Arlo - Short Glare Shield



Arlo - Long Glare Shield



Arlo - Angled Glare Shield



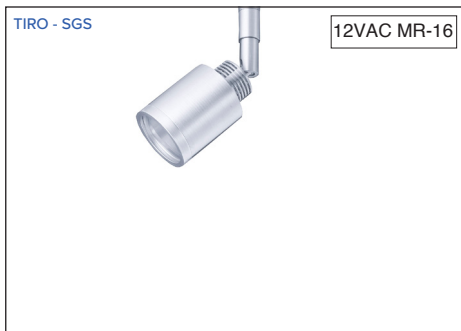
Claro



Argent



Arte-MR-16



Tiro - Short Glare Shield



Tiro - Frit Glass Shield



Arte - AR-111

## Round J-Box Mount Monopoint - 24VDC Spotlights



Pico - 1



Oculus - Short Glare Shield



# Monopoint Systems

IP20 Round J-Box Mount  
Integral Transformer - 12VAC Triac DM  
Remote Power - 12VAC Triac, 24VDC 0-10V DM

## Round J-Box Mount Monopoint - 24VDC Spotlights

