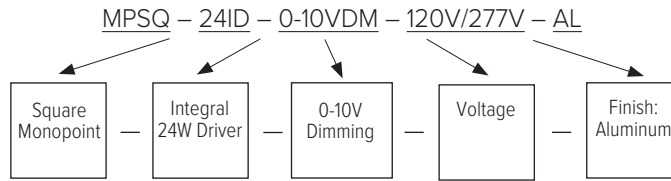
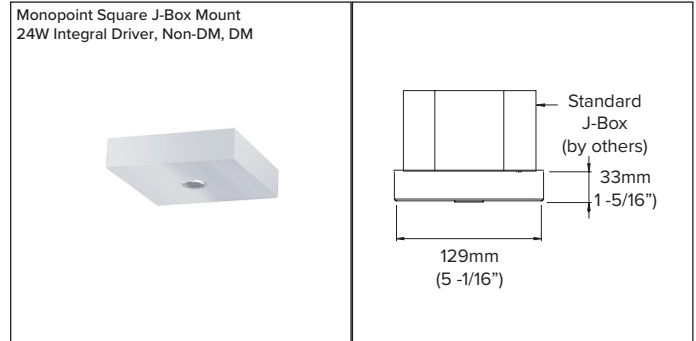
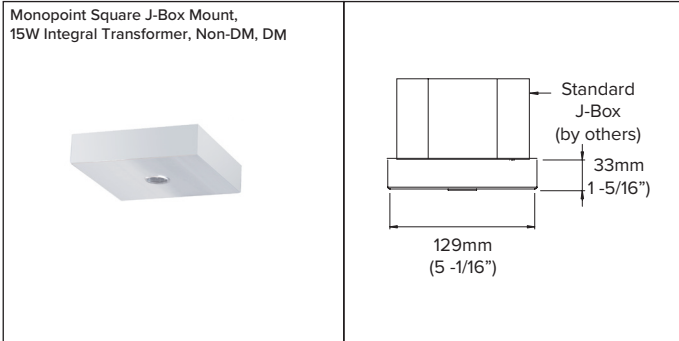


CATALOG NUMBER LOGIC



Square J-Box Mount Monopoint



Square J-Box Mount Monopoint, Integral 15W or 108W Transformer, 120/277V, Aluminum, Black, Bronze or White Finish

Catalog Numbers

Spot ordered separately.

Compatible with Spots: Claro, Evo, Argent, Arlo, Arte-MR16, or Tiro Spots with 7.5W (Max Wattage) LED MR-16 Lamp.

MPSQ-15IT-DM-120V-AL, BRZ, BLK or WH (Dimming)

MPSQ-15IT-277V-AL, BRZ, BLK or WH (Non-Dimming)

Compatible with Arte-AR111 Spot with 18.5W (Max Wattage) AR-111 LED Lamp.

MPSQ-IT-108W-DM-120V-AL, BLK, WH (Dimming)

MPSQ-IT-108W-277V-AL, BLK, WH (Non-Dimming)

Square J-Box Mount Monopoint, Integral 24W Driver, Non-Dimming or Dimming, 120/277V, Aluminum, Bronze, Black or White Finish

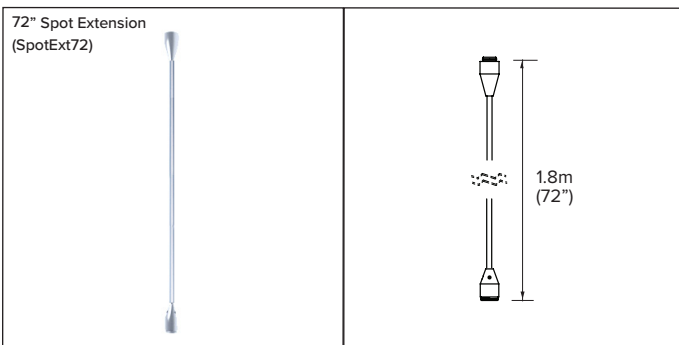
Catalog Number

Spot ordered separately.

MPSQ-24ID-0-10VDM-120/277V-AL, BRZ, BLK or WH (Dimming)

MPSQ-24ID-120/277V-AL, BRZ, BLK or WH (Non-Dimming)

Square J-Box Mount Monopoint - Accessories

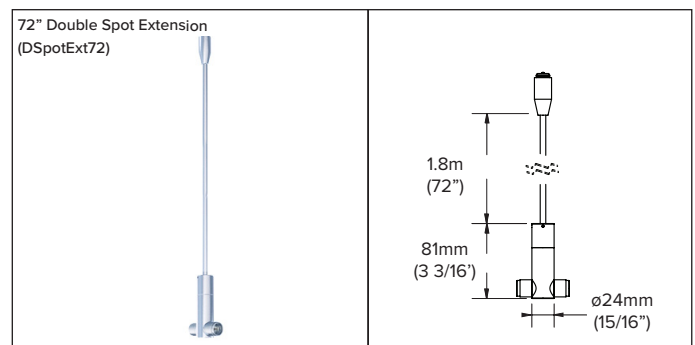


72" Spot Stem Extension, Aluminum, Black or White Finish

Catalog Number

SpotExt72-AL, BLK or WH

Spot Stem Extension for use with Monopoints. Attaches to the Spot for an extension up to 72". Spot Extensions can be shortened in the field or at the factory for an additional cost. Note: A Sloped Ceiling Adapter must be added for use in Sloped Ceilings with Monopoints. Contact factory for Bronze.



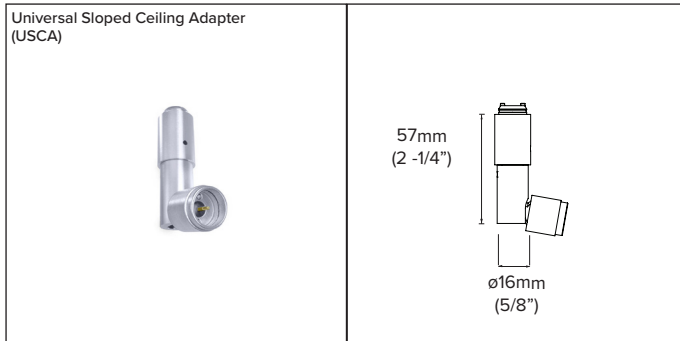
72" Double Spot Extension, Aluminum or Black Finish

Catalog Number

DSpotExt72-AL, BLK or WH

Double Spot Extension for mounting two spotlights. Attaches to the Spot with an extension up to 72". The Double Spot Extension can be shortened in the field or at the factory for an additional cost. Note: Due to the weight of the Spots, the Double Spot Extension cannot be used for sloped ceiling applications with Monopoints; contact factory for special order options. Contact factory for White (WH) and Bronze (BRZ) finishes. Refer to [Installation Instructions](#) for details.

Square J-Box Mount Monopoint - Accessories



Universal Sloped Ceiling Adapter, Aluminum, Black or White Finish

Catalog Number

USCA-AL, BLK or WH

The Universal Sloped Ceiling Adapter allows for angle adjustment of any Spotlight when connected to a Monopoint installed on a sloped ceiling. Tilts 90° and rotates 350°. Brushed Aluminum (AL), Black (BLK) or White (WH) finish. Contact factory for Brushed Brass, Polished Brass or Bronze finish. Minimum quantity may apply.

12VAC Integral 15W/108W Transformer - Square J-Box Mount Monopoint^{1,2,3,4}

Catalog Code	Driver Description	Watts	Min / Max	Typical TransformerLinks
MPSQ-15IT-DM-120V	15W-Electronic-12VAC-120V	15W	3W/15W	Hatch-RL LED Series
MPSQ-15IT-277V	15W-Electronic-12VAC-277V	15W	3W/15W	Hatch-RL LED Series
MPSQ-108IT-DM-120V	108W Electronic 12VAC-120V	108W	5W/108W	Hatch-RS12-108-120V
MPSQ-108IT-277V	108W-Electronic-12VAC-277V	108W	5W/108W	Hatch-RS12-108-120V

24VDC Integral 24W Driver - Square J-Box Mount Monopoint^{1,2,3,4}

Catalog Code	Driver Description	Watts	Min / Max	Typical Driver Links
MPSQ-ID24-120/277V	24W-24VDC-120/277V	24W	6W/30W	STRATO RSLP035-24
MPSQ-ID24-DM-120/277V	24W-24VDC-120/277V Dimming ⁵	24W	10W/30W	STRATO RSLP035-24 + GRE-ALPHA SLD-DIM1B

Notes

- ¹ Due to the rapidly evolving technology for Semiconductor products, Tegan driver options are subject to change at any time, without notice. In addition, if any of the standard drivers are out of stock or discontinued, Tegan Lighting will supply an equal as needed. Tegan can also supply alternative drivers upon request; contact the factory for details.
- ² Minimum and maximum wattage information provided by the driver manufacturer, refer to linked driver specification sheets for more detail and verification. Subject to change.
- ³ Tegan LED emitters, like all LEDs, undergo a natural depreciation in lumen output. This depreciation is within the specifications of LM-80. Extreme ambient temperatures, dusty environments, and power conditions may affect the depreciation. Wattage requirements and lumen output are subject to change with ongoing developments in LED technology.
- ⁴ 12VAC dimming transformers are Electronic (ELV) only. 277V Non-Dimming.





Category: The Square J-Box Mount Monopoint is ideal for installations that require Integral Power. Compatible with a LED MR-16 12VAC Triac DM with a integral transformer or driver or dedicated LED 24VDC 0-10V Spot (ordered separately). **Note: Shown as installed with a Arlo Spotlight, not included with Monopoint; specify desired Spotlight separately.**

Material: Extruded and machined aluminum.

Finish: Note: Low volume fixtures are not available in all finishes. Contact the factory for special order finishes, minimum quantity may apply. Refer to pages 1 and 2 for more finish details.

MPSQ-15IT - For MR-16 Spot
 Brushed Aluminum (AL), Matte White (WH), Matte Black (BLK), Powdercoat Bronze (BRZ).

MPSQ-108IT - For AR-111 Spot
 Brushed Aluminum (AL), Matte White (WH), Matte Black (BLK). Contact factory for special order Powdercoat Bronze (BRZ).

MPSQ-24ID - For dedicated LED Spot
 Brushed Aluminum (AL), Matte White (WH), Matte Black (BLK).

Accessories

Single Stem Extension: Brushed Aluminum (AL), Matte White (WH), Matte Black (BLK).

Double Stem Extension: Brushed Aluminum (AL), Matte Black (BLK).

Sloped Adapter: Brushed Aluminum (AL), Matte White (WH), Matte Black (BLK).

Monopoint: 12VAC for MR-16/AR-111 Spots:

Square J-Box Mount - Integral 12VAC 15W Dimming Transformer-120V (MPSQ-15IT-DM-120V)

Square J-Box Mount - Integral 12VAC 15W Non-Dimming Transformer-277V (MPSQ-15IT-277V)

Square J-Box Mount - Integral 12VAC 108W Dimming Transformer 120V (MPSQ-108IT-DM-120V)

Square J-Box Mount - Integral 12VAC 108W Non-Dimming Transformer 277V (MPSQ-108IT-277V)

24VDC for Dedicated LED Spots and Pendants only:

Square J-Box Mount - Integral 24VDC 24W 0-10V Dimming Driver, 120/277V (MPSQ-24ID-0-10VDM-120/277V)

Square J-Box Mount - Integral 24VDC 24W Non-Dimming Driver, 120/277V (MPSQ-24ID-120/277V)

Accessories: 72" Spot Extension (SpotExt72), 72" Double Spot Extension (DSpotExt72), Universal Sloped Ceiling Adapter (USCA).

Source/

Spot: Ordered separately. 24VDC Dedicated or LED 12VAC MR-16. Refer to linked Spotlight Specification sheets on pages 4-5 for details. In-rush may be a factor with other manufacturers LED MR-16 lamps; refer to lamp manufacturers spec sheets.

Source:

Refer to linked Spotlight Specification sheets on following pages for details. Contact factory to order MR-16 LED lamps.

Integral Power

Supply: Refer to the Power Supply Chart on p. 2 for details.

Installation: Refer to [Installation Instructions](#) for details.

Labels:

ETL & CE Listed; Tested to UL 1574 - Issue: 2004/09/07 Ed: 3 Rev:2012/01/25 UL Standard for Safety Track Lighting Systems. IP20. Interior use only. In a continuing effort to offer the best product possible we reserve the right to change, without notice, specifications or materials. Technical specification sheets that appear on [teganlighting.com](#) are the most recent version and supersede all other versions that exist in any other printed or electronic form. 3 Year Warranty.



Monopoint Systems

Square J-Box Mount Monopoint - 12VAC Spotlights



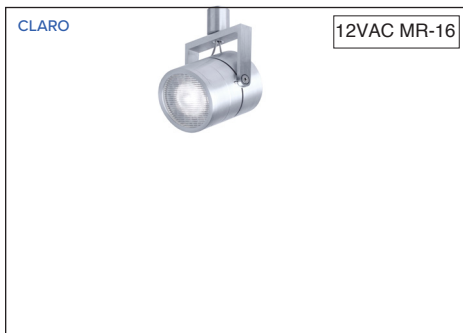
Arlo - Short Glare Shield



Arlo - Long Glare Shield



Arlo - Angled Glare Shield



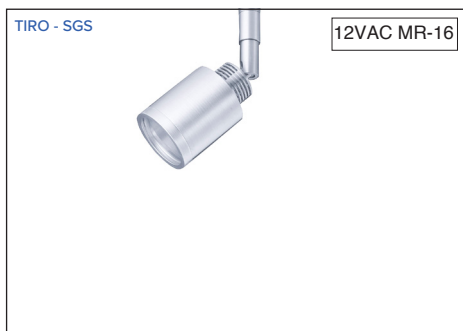
Claro



Argent



Arte-MR-16



Tiro - Short Glare Shield

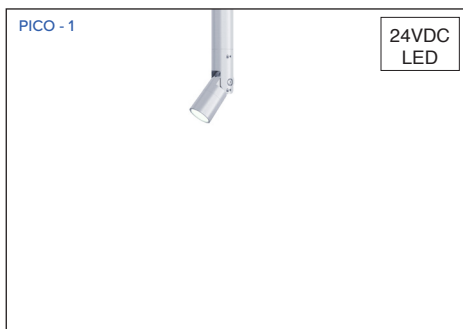


Tiro - Frit Glass Shield



Arte - AR-111

Square J-Box Mount Monopoint - 24VDC Spotlights



Pico - 1



Oculus - Short Glare Shield

Monopoint Systems

IP20 Square J-Box Mount
Integral Power Supply
LED MR-16 12VAC Triac DM
Dedicated LED 24VDC 0-10V DM

Square J-Box Mount Monopoint - 24VDC Spotlights

