

## 1. CAUTION: Read all instructions.

- Do not install any Spotlight closer than six inches from any curtain or similar combustible material.
- Do not install this system in a damp or wet location.
- Turn off electrical power before modifying the lighting system in any way.
- Ensure the Spotlight connector is attached correctly to the system with no cross threading and is tightened down completely to make contact with the top of the track.
- Ensure all connections are tight. Loose connections can cause overheating, arcing and a potential fire risk.
- Always use appropriate lamps and ensure they are fitted securely.
- Use only as described in these Tegan Lighting Installation Instructions.
- Use only Tegan Lighting supplied accessories.
- Luminaires may be extremely hot, allow to cool before touching.
- These are 12VAC Spotlights; they must be connected to an appropriate 12VAC power supply. Refer to Specification Sheets.
- For proper installation, have a qualified electrician install this product.
- This luminaire must be wired and grounded in accordance standard accepted electrical installation practices, local codes, and ordinances.
- Wire supply connections must be made with U.L. or comparable testing agency-approved connectors.
- Regular cleaning of these products is important. Switch off at main supply and allow to cool before touching. Clean fittings with a soft damp cloth and allow to dry before reconnecting power supply.

Arlo

50W MAX.

Short Glare Shield (SGS)

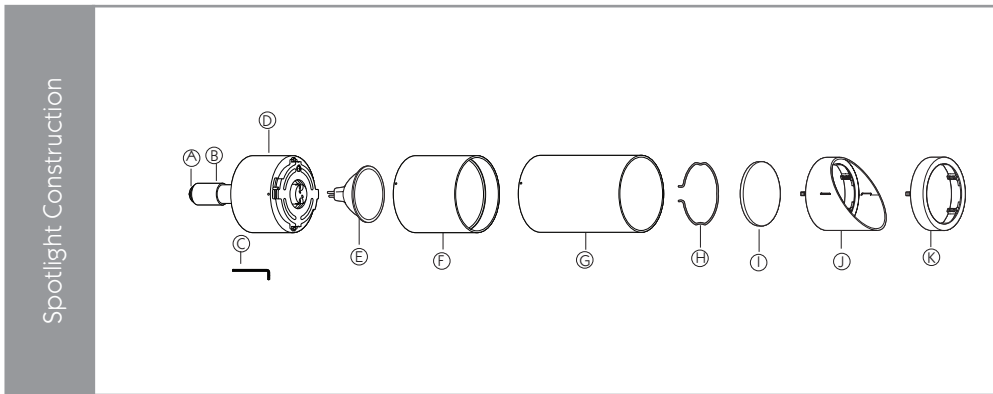


Long Glare Shield (LGS)

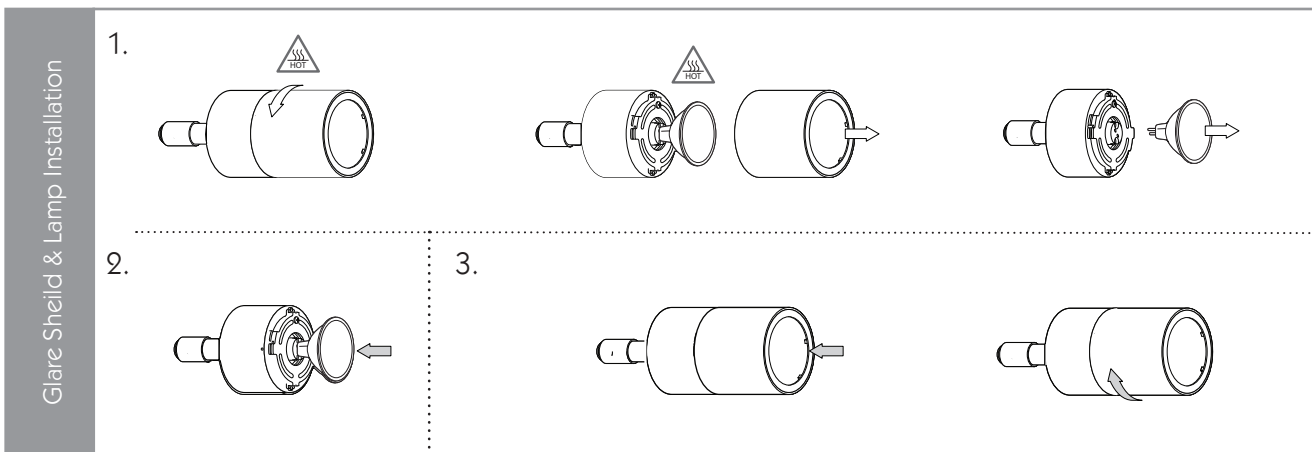


Angled Glare Shield (AGS)





- |                            |                        |
|----------------------------|------------------------|
| A. Twist & Click Connector | G. Long Glare Shield   |
| B. Twist & Click Collar    | H. Lens Clip           |
| C. 2mm Allen Key           | I. Lens                |
| D. Arlo Body               | J. Angled Glare Shield |
| E. Lamp (MR-16 - 50W MAX)  | K. Media Holder 3-16   |
| F. Short Glare Shield      |                        |

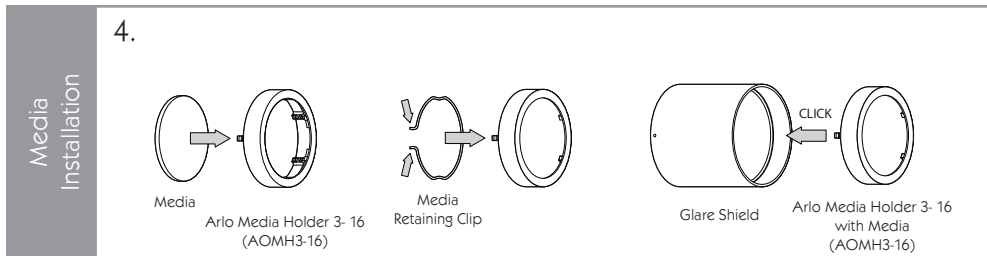


### Changing the MR-16 Lamp

CAUTION lamp and lamp housing may be extremely hot. Allow to cool before touching.

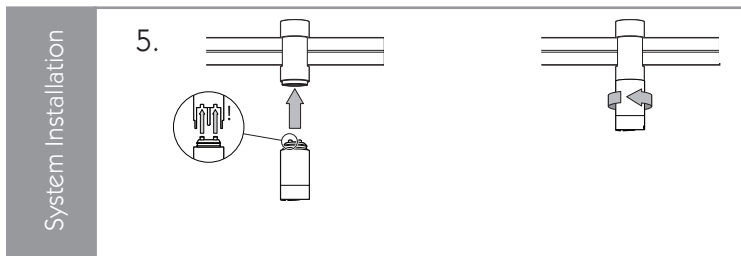
1. Twist Glare Shield counterclockwise and remove.
2. Install lamp, ensuring it is connected securely. Use a LED or Halogen MR-16 bi-pin lamp; 50W MAX. Lamp by others.
3. To reattach Shield, twist clockwise until secure.





#### 4. Installing Media using the Media Holder

- Fit up to three media into Arlo Media Holder 3-16 (AOMH3-16).
- Secure media in place using retaining clip.
- Lock spotlight position using 2mm allen key provided.



#### 5. Installing the Spotlight with Centro Trac, Retractable or Duplex Cable Connector

- Insert Centro Trac, Retractable, or Duplex Cable Connector into Trac System, ensuring locking screws are aligned (Centro Trac shown in diagram; refer to specific System Installation Sheets for details). No connector is required for Monopoints.
- Rotate connector collar until spotlight is securely fastened.
- The Spotlight connects to the Connector with the Twist & Click mechanism. The Spotlight "clicks" into the the jack plug socket, then twists into position to lock the connection in place.

**NOTE:** Do not exceed maximum number of Spotlights per transformer wattage rating, doing so will damage system.