

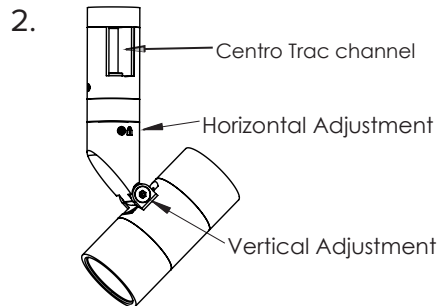
1. CAUTION: Read all instructions.

- Do not install any Spotlight closer than six inches from any curtain or similar combustible material.
- Do not install this system in a damp or wet location.
- Turn off electrical power before modifying the lighting system in any way.
- Ensure the Spotlight connector is attached correctly to the system with no cross threading and is tightened down completely to make contact with the top of the track.
- Ensure all connections are tight. Loose connections can cause overheating, arcing and a potential fire risk.
- Use only as described in these Tegan Lighting Installation Instructions.
- Use only Tegan Lighting supplied accessories.
- Luminaires may be extremely hot, allow to cool before touching.
- These are 24VDC Spotlights; they must be connected to an appropriate 24VDC power supply. Refer to Specification Sheets.
- For proper installation, have a qualified electrician install this product.
- This luminaire must be wired and grounded in accordance standard accepted electrical installation practices, local codes, and ordinances.
- Wire supply connections must be made with U.L. or comparable testing agency-approved connectors.
- Regular cleaning of these products is important. Switch off at main supply and allow to cool before touching. Clean fittings with a soft damp cloth and allow to dry before reconnecting power supply.

ARRI 3



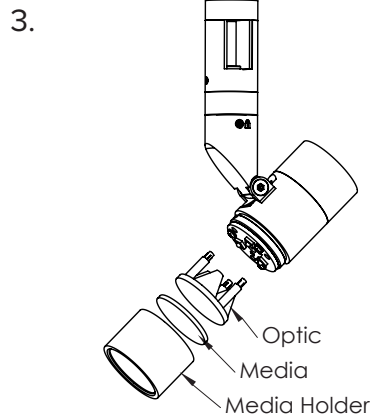
Horizontal & Vertical
Adjustment



2. Locking the ARRI 3 LED in Horizontal and Vertical Adjustment

- Adjust to desired position, using angle gauge if required.
- Lock in position using 2mm Allen key provided.
- NOTE: Only adjust position when unlocked.

Installing Optic



3. Removing and Installing an LED Optic

- Unscrew front shield to install an alternative optic.
- Line up the optic's "pegs" with indents on LED board.
- Carefully place optional Media inside the Media Holder.
- Tighten Media Holder until snug.until snug.
- Media Holders are only compatible with a fixed number of Media, or optics only.

4. Installing ARRI 3 - CTC to Centro Trac (only):

- ARRI 3 is supplied with an factory installed integral Centro Trac System Connector. **NO NOT TRY TO REMOVE; DAMAGE WILL OCCUR TO THE SPOT AND WILL VOID THE WARRANTY.**
- Top cap unscrews/screws to attach to Trac. Check to ensure the cap is tightened securely for proper electrical connection and operation.

NOTE: Do not exceed maximum number of Spotlights per driver wattage rating, doing so will damage system. Confirm 0-10V dimming controls compatibility with Driver Manufacturer.