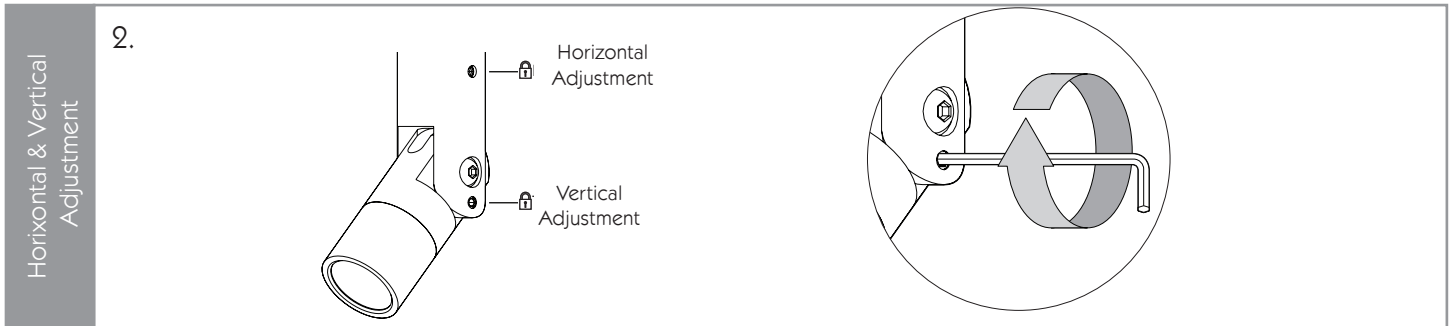


**1. CAUTION: Read all instructions.**

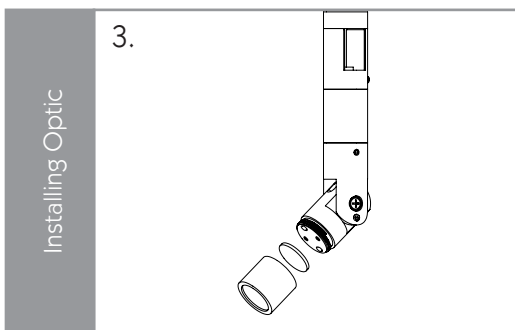
- Do not install any Spotlight closer than six inches from any curtain or similar combustible material.
- Do not install this system in a damp or wet location.
- Turn off electrical power before modifying the lighting system in any way.
- Ensure the Spotlight connector is attached correctly to the system with no cross threading and is tightened down completely to make contact with the top of the track.
- Ensure all connections are tight. Loose connections can cause overheating, arcing and a potential fire risk.
- Use only as described in these Tegan Lighting Installation Instructions.
- Use only Tegan Lighting supplied accessories.
- Luminaires may be extremely hot, allow to cool before touching.
- These are 24VDC Spotlights; they must be connected to an appropriate 24VDC power supply. Refer to Specification Sheets.
- For proper installation, have a qualified electrician install this product.
- This luminaire must be wired and grounded in accordance standard accepted electrical installation practices, local codes, and ordinances.
- Wire supply connections must be made with U.L. or comparable testing agency-approved connectors.
- Regular cleaning of these products is important. Switch off at main supply and allow to cool before touching. Clean fittings with a soft damp cloth and allow to dry before reconnecting power supply.





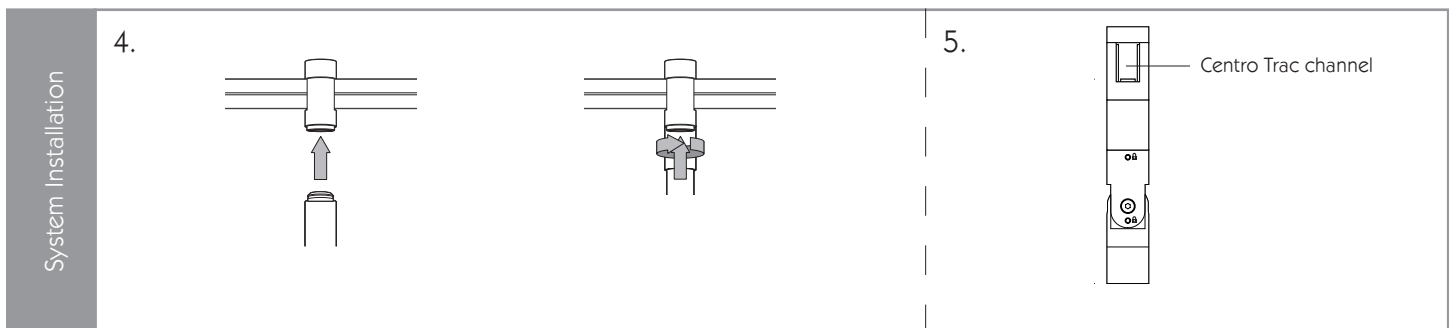
### 2. Locking the Pico 1 LED in Horizontal and Vertical Adjustment

- Adjust to desired position, using angle gauge if required.
- Lock in position using 2mm Allen key provided.
- NOTE: Only adjust position when unlocked.



### 3. Removing and Installing an LED Optic

- Unscrew front shield to install an alternative optic.
- Line up the optic's "pegs" with indents on LED board. Screw shield onto body until connection is flush.
- Tighten until snug, overtightening can cause damage.



### 4. Installing the Spotlight with Centro Trac, Retrac or Duplex Cable Connector

- Insert Centro Trac, Retrac, or Duplex Cable Connector into Trac System ensuring locking screws are aligned (Centro Trac shown in diagram; refer to specific System Installation Sheets for details). No connector is required for Monopoints.
- Rotate connector collar until spotlight is securely fastened.
- The Spotlight connects to the Connector with the Twist & Click mechanism. The Spotlight "clicks" into the the jack plug socket, then twists into position to lock the connection in place.

### 5. Pico 1 is supplied with an integral System Connector (Centro, Retrac, Direct Wall Mount, Duplex Cable) as specified unless used with a Monopoint (No connector required).

**NOTE:** Do not exceed maximum number of Spotlights per driver wattage rating, doing so will damage system. Confirm 0-10V dimming controls compatibility with Driver Manufacturer.