

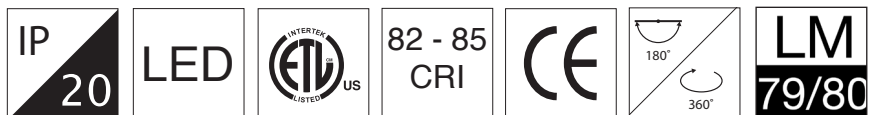
# ARRI 1 - CTC

**NEW** Design

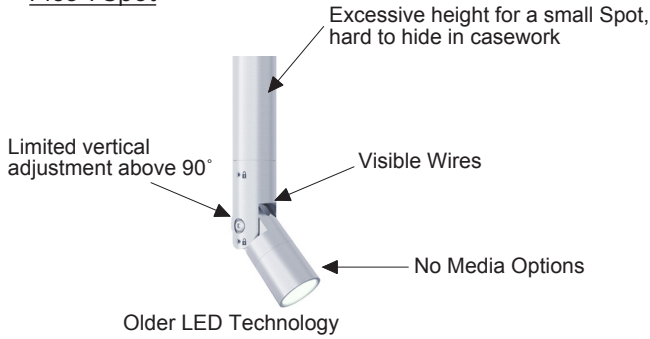
IP20 24VDC Spotlight for Centro Trac System



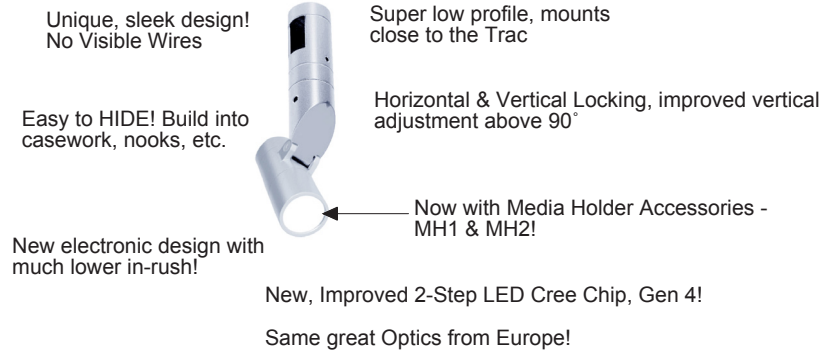
- Category:** The 24VDC ARRI 1 LED Spotlight with Integral factory-installed Centro Trac Connector (CTC) replaces Pico 1 LED with improved engineering and design. ARRI 1 is a fully adjustable dedicated LED Spotlight with a horizontal and vertical locking stem. The minimal, sleek new design illustrates Tegan's commitment to providing specifiers with the latest in contemporary architectural illumination!
- Spotlight:** ARRI 1 (ARRI-1)
- Material:** Machined aluminum.
- Finish:** Brushed Aluminum (AL).
- Systems:** ARRI 1 Spotlight for Centro Trac is supplied with the factory-installed Centro Trac Connector, which enables easy connection to Tegan's Centro Trac. See [Centro Trac System \(CTS\) Specsheets](#) and [Installation Sheets](#) for more details. Contact factory for alternative system mounting.
- Connector:** Integral factory-installed Centro Trac Connector (CTC) only. CTC can not be removed. Damage to the Spot will result. Contact factory for alternative mountings.
- Adjustment:** Smooth, 360° bearing rotation with 90° vertical adjustment. Lockable pan and tilt.
- Source:** 1.9W, 124 lumens, 80-85 CRI, 3000K Kelvin Temperature. Integral heat sink to optimize LED cooling. Contact factory for alternative LED options. Power ratings include the LED only, not the power supply. Tegan LED emitters, like all LEDs, undergo a natural depreciation in lumen output. This depreciation is within the specifications of LM80. Extreme ambient temperatures, dusty environments, and power conditions may affect the depreciation. Wattage requirements and lumen output are subject to change with ongoing developments in LED technology.
- Optics:** 14° | 20° | 30°. Refer to photometric report for details.
- Power Supply:** The dedicated LED Spots have an Internal 24VDC controller integral to the Spots mounting stem. This allows many Spots to be controlled together on a system with the use of a required remote "master" Driver. Please refer to [24VDC Driver Specsheets #13](#) for driver options and Qty's of ARRI 1's allowed per driver. Non-Dim and 0-10V dimming driver options available.
- Accessories:** ARRI 1-1 Media Holder (AR1-1MH), ARRI 1 2-Media Holder (AR1-2MH), ARRI 1 Honeycomb Louver (AR1HCLB), ARRI 1 Frosted Lens (AR1-FL). Contact factory for Stem Extensions.
- Installation:** Refer to the [ARRI 3 Installation Sheet](#) For system layout, and specification assistance, refer to the [Trac Design Guide](#) under the Gallery link.
- Labels:** ETL & CE Listed; Tested to UL 1574 - Issue: 2004/09/07 Ed: 3 Rev:2012/01/25 UL Standard for Safety Track Lighting Systems. IP20. Interior use only. In a continuing effort to offer the best product possible we reserve the right to change, without notice, specifications or materials. Technical specification sheets that appear on [teganlighting.com](#) are the most recent version and supersede all other versions that exist in any other printed or electronic form. 3 Year Warranty.



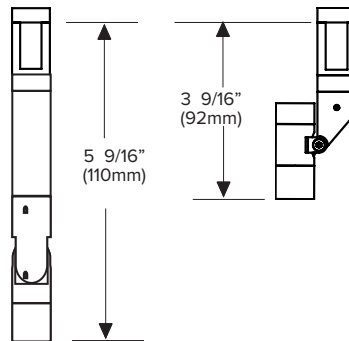
## Pico 1 Spot



## New ARRI 1-CTC Spot



## Height Comparison



## Complete ARRI 1-CTC Description/Catalog #

### ARRI 1 Spot with Integral Centro Trac Connector - No Accessories

ARRI 1 with Centro Trac Connector, 14°/20°/30°/Aluminum Finish. (ARRI-1-CTC-14/20/30-AL)<sup>1,2</sup>

### ARRI 1 Spot with Integral Centro Trac Connector - With a Media Holder

ARRI 1 with Centro Trac Connector, 14°/20°/30°, Aluminum Finish, ARRI 1 1-Media Holder (ARRI-1-CTC-14/20/30-AL-AR1-1MH)<sup>1,2</sup>

ARRI 1 with Centro Trac Connector, 14°/20°/30°, Aluminum Finish, ARRI 1 2-Media Holder (ARRI-1-CTC-14/20/30-AL-AR1-2MH)<sup>1,2</sup>

### ARRI 1 Spot - Media - Add to the end of the Catalog #'s above as noted below.

Honeycomb Louver (AR1HCLB)

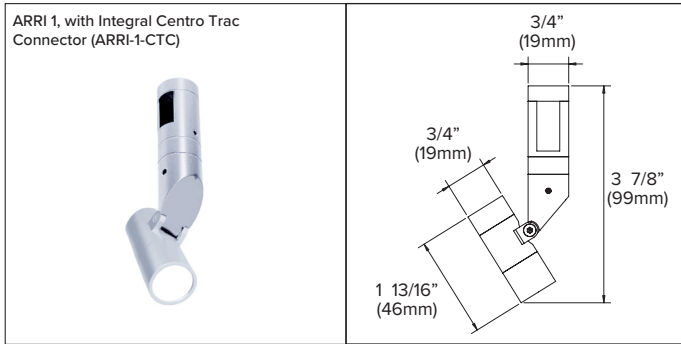
Frosted Lens (AR1-FL)

<sup>1</sup> For beam spread, choose 14, 20, or 30 for Optic beam degrees.

<sup>2</sup> Contact factory for alternative mountings.

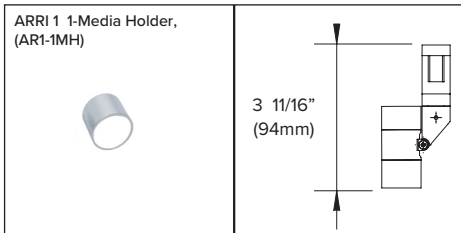


## ARRI 1-CTC - Spotlight

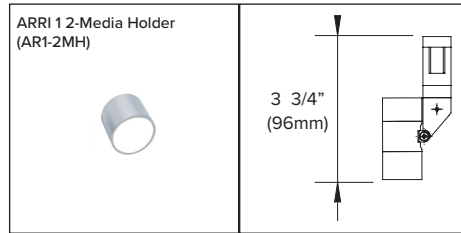


The ARRI 1-CTC LED Mini Spotlight with Integral factory-installed Straight Trac Connector delivers even light distribution and glare control with a sleek, minimal design aesthetic. Brushed Aluminum (AL) finish. The ARRI 1 Spotlight features a lockable design with 1.9W LED and an integral current controller for 24VDC operation on Centro Trac Systems. All Track systems must be powered by an appropriate driver. Non-Dim and 0-10V dimming driver options available. Interchangeable optics can be field adjusted with 14°, 20° and 30° beam options.

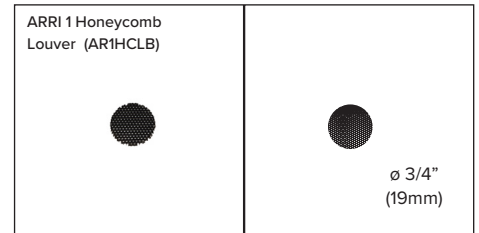
## ARRI 1 - Spotlight Accessories



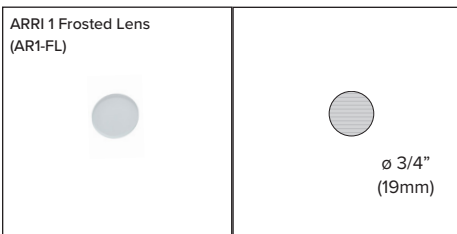
Can accommodate one Media. Aluminum (AL).



Can accommodate up to two Media. Aluminum (AL).



1/8" Hexcell black metal. Controls spill illumination and glare.



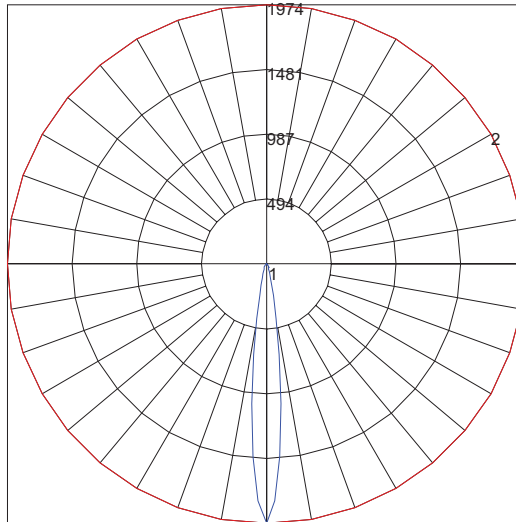
Creates an uniform beam pattern that is useful for wall washing.



## ARRI 1 - Photometrics

### 14° Narrow Spot

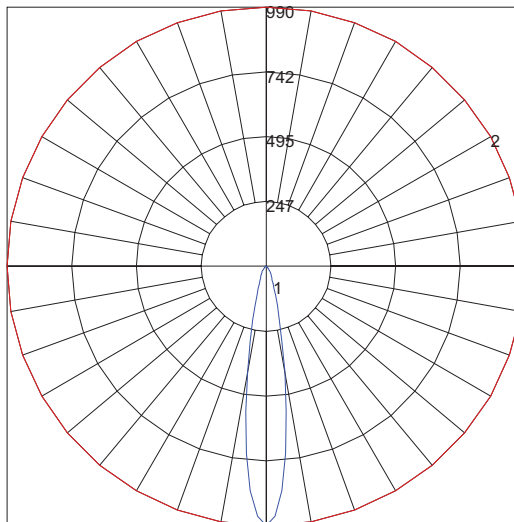
IES INDOOR REPORT  
PHOTOMETRIC FILENAME : L07120803.IES  
POLAR GRAPH



Maximum Candela = 1974.11 Located At Horizontal Angle = 0, Vertical Angle = 0  
# 1 - Vertical Plane Through Horizontal Angles (0 - 180) (Through Max. Cd.)  
# 2 - Horizontal Cone Through Vertical Angle (0) (Through Max. Cd.)

### 20° Spot

IES INDOOR REPORT  
PHOTOMETRIC FILENAME : L07120804.IES  
POLAR GRAPH

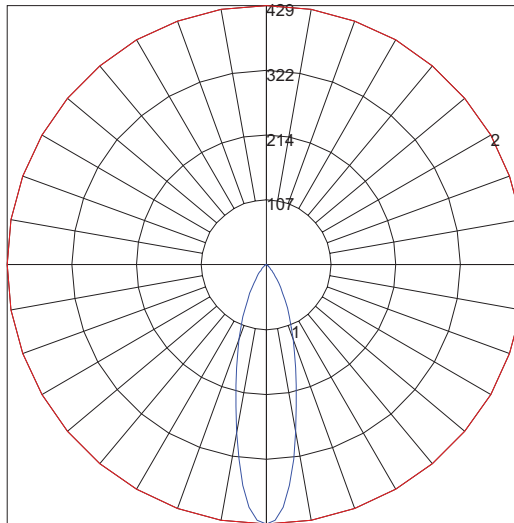


Maximum Candela = 989.83 Located At Horizontal Angle = 0, Vertical Angle = 0  
# 1 - Vertical Plane Through Horizontal Angles (0 - 180) (Through Max. Cd.)  
# 2 - Horizontal Cone Through Vertical Angle (0) (Through Max. Cd.)



30° Spot

IES INDOOR REPORT  
PHOTOMETRIC FILENAME : L07120805.IES  
POLAR GRAPH



Maximum Candela = 428.8 Located At Horizontal Angle = 0, Vertical Angle = 0  
# 1 - Vertical Plane Through Horizontal Angles (0 - 180) (Through Max. Cd.)  
# 2 - Horizontal Cone Through Vertical Angle (0) (Through Max. Cd.)

