



- Category:** Pico is part of a family of energy-efficient, LED Mini Spotlights that are ideal for gallery, museum, retail, commercial, hospitality and residential applications. Pico LED is lockable in pan & tilt and incorporates an integral heat sink for optimized cooling of the LED. Interchangeable optics can be field adjusted from 12° and 30° beam distributions. The Pico 1 features a sleek, minimal design with a discreet 1.9W LED source. Features an internal 12 - 24V DC driver. Can be specified for Trac and Monopoint installation with a remote 500ma driver.
- Spotlights:** Pico 1 (Pico 1).
- Material:** Machined aluminum.
- Finish:** Brushed Aluminum (AL).
- Systems:** Pico 1 is used with one of Tegan's versatile connectors that will enable easy connection to the full range of Systems and Monopoints. Refer to System Specsheets and Installation Sheets for more detail: [Centro Trac System \(CTS\)](#), [Monopoint Recessed Flat Plate - Remote Power Supply \(MPRFP-RP\)](#), [Monopoint Recessed Trimless - Remote Power Supply \(MRTL-RP\)](#), [Monopoint Panel Mount - Remote Power Supply \(MPPM-RP\)](#), [Single Recessed Enclosure Monopoint \(MP-1-RE\)](#), [Double Recessed Enclosure Monopoint \(MP-2-RE\)](#), [Round J-Box Monopoint - Remote Power Supply \(MPJ-RPS\)](#), [Square J-Box Mount Monopoint - Integral Driver \(MPSQ-ID\)](#).
- Connectors:** Connectors ship with the Spot as specified. Refer to page 3.
- Adjustment:** Smooth, 360° bearing rotation with 90° vertical adjustment. Lockable pan and tilt.
- Source:** 1.9W, 124 lumens, 80-85 CRI, 3000K Kelvin Temperature. Integral heat sink to optimize LED cooling. Contact factory for 2700K and 4000K. Power ratings include the LED only, not the power supply. Tegan LED emitters, like all LEDs, undergo a natural depreciation in lumen output. This depreciation is within the specifications of LM80. Extreme ambient temperatures, dusty environments, and power conditions may affect the depreciation. Wattage requirements and lumen output are subject to change with ongoing developments in LED technology.
- Optics:** 12° | 30°. Refer to photometric report for details.
- Power Supply:** The dedicated LED Spots have an Internal 24V DC controller integral to the Spots mounting stem. This allows many Spots to be controlled together on a system with the use of a required remote "master" Driver. Please refer to [24VDC Driver Specsheet #13](#) for driver options and Qty's of Pico 1's allowed per driver.
- Accessories:** 72" Spot Extension (SpotExt72), 72" Double Spot Extension (DSpotExt72).
- Installation:** Refer to [Pico Installation Sheet](#). For system layout, and specification assistance, refer to the [Trac Design Guide](#) under the Gallery link.
- Labels:** ETL & CE Listed; Tested to UL 1574 - Issue: 2004/09/07 Ed: 3 Rev:2012/01/25 UL Standard for Safety Track Lighting Systems. IP20. Interior use only. In a continuing effort to offer the best product possible we reserve the right to change, without notice, specifications or materials. Technical specification sheets that appear on [teganlighting.com](#) are the most recent version and supersede all other versions that exist in any other printed or electronic form. 3 Year Warranty.



Complete Pico 1 Spot Description/Catalog # - Mounting sold separately

Pico 1 Spot - No Connector for Monopoint Mounting

Pico 1, Brushed Aluminum finish, 12° or 30° Optic (Pico 1-AL-12°/30°).

Pico 1 Spot - with Straight Connector Centro Trac Mounting

Pico 1, Brushed Aluminum finish, 12° or 30° Optic, Centro Trac Connector (Pico 1-AL-12°/30°-CTC).

Pico 1 Spot - with 90° Connector* Centro Trac Mounting

Pico 1, Brushed Aluminum finish, 12° or 30° Optic, Centro 90° Connector Connector (Pico 1-AL-12°/30°-C90C*).

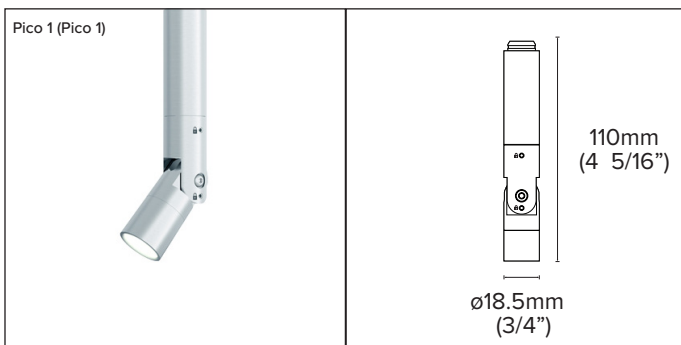
* C90C is for Direct Wall Mount System

Accessories for Pico 1 Spot - Add to the end of the Catalog #'s above as detailed below.

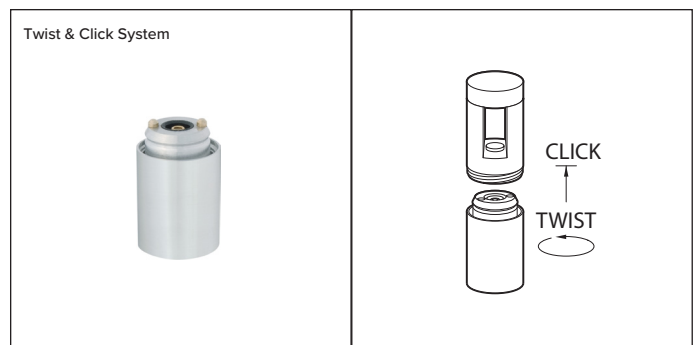
72" Spot Extension. Aluminum Finish (SpotExt72-AL)

72" Double Spot Extension, Aluminum Finish (DSpotExt72-AL)

Pico 1 - Spotlights

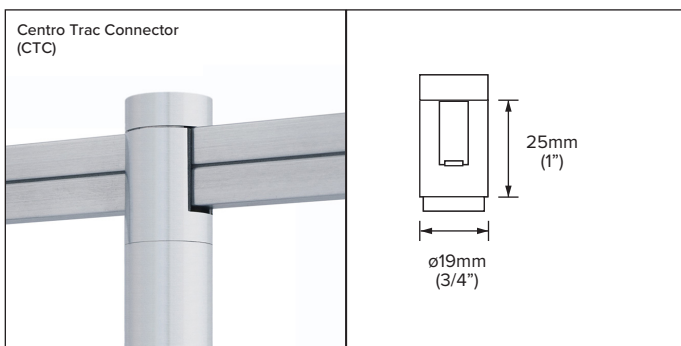


The Pico 1 LED Mini Spotlight features a discreet 1.9W LED and internal 12 -24V DC controller. Can be specified for Trac, Cable and Monopoint system with appropriate remote 24V DC driver. Pico 1 LED is lockable in pan & tilt and incorporates an intergral heat sink for optimized cooling of the LED. Interchangeable optics can be field adjusted from 12° to 30°.

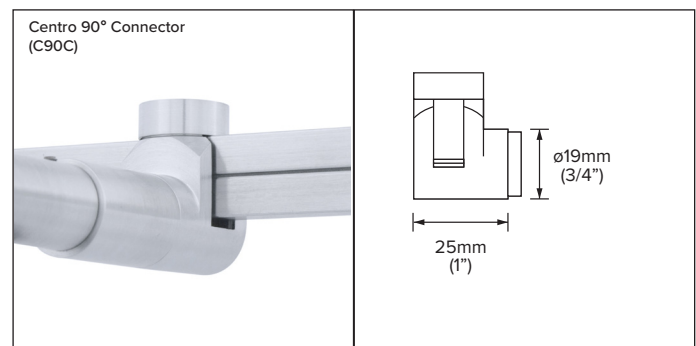


The Twist & Click system allows the Spotlights to be easily removed. The Spotlights click into the jack plug socket, the threaded jacket then screws into position to lock the connection in place. Once fixed, the luminaires are free to rotate or can be secured using two locking pins.

Pico 1 - System Connectors



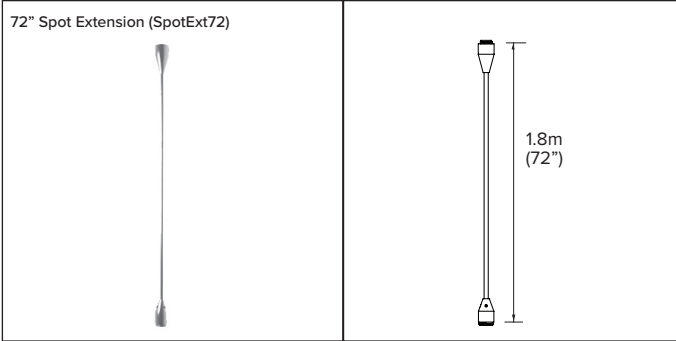
Connector for Centro Trac system. Supplied with Spotlight as specified (Pico 1 only). Brushed Aluminum (AL) finish.



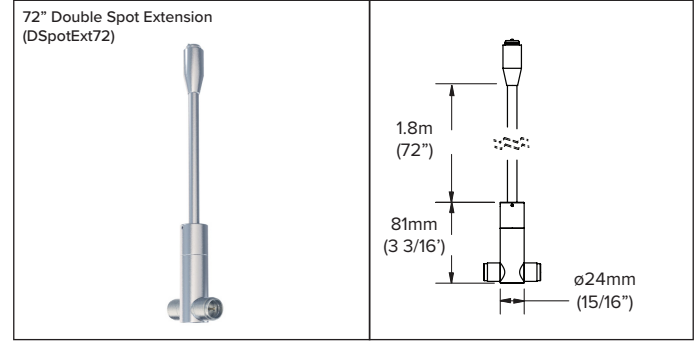
Connector for Centro Trac System. 90° Mounting. Supplied with Spotlight as specified (Pico 1 only). Brushed Aluminum (AL) finish.



Pico 1 - System Accessories



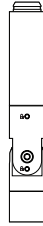
Connector Spot Extension that attaches to any system to extend the Spot 72" from the System Connector. Brushed Aluminum (AL) finish. Spot Extensions can be shortened in the field or at the factory for an additional cost. Refer to [Installation Instructions](#) for details.



72" Double Spot Extension for mounting two spotlights. Specify with the appropriate system connector (not required with Monopoints). Available in Brushed Aluminum (AL) finish. Spot Extensions can be shortened in the field or at the factory for an additional cost. Refer to [Installation Instructions](#) for details.



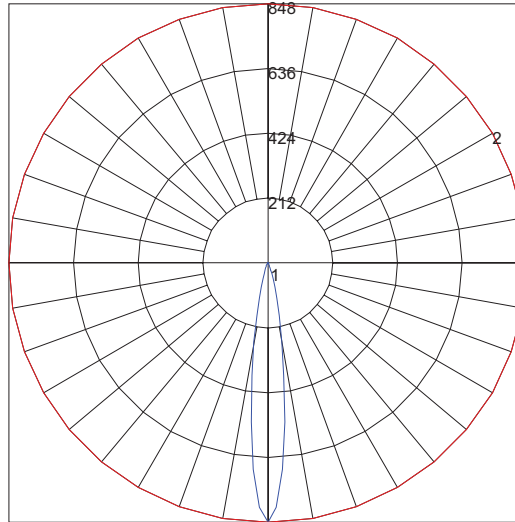
Pico 1 - Photometrics



Pico 1 (Pico 1)

12° Narrow Spot

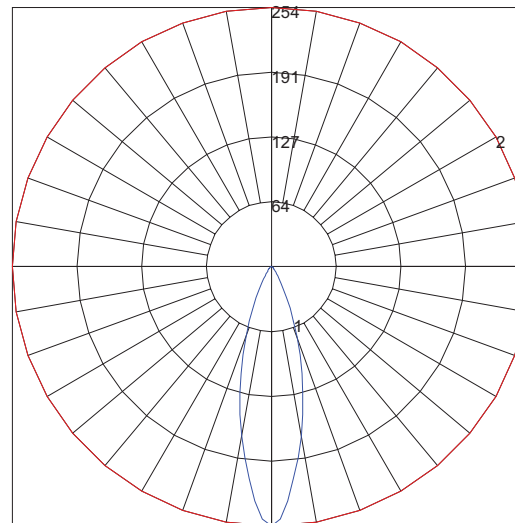
IES INDOOR REPORT
PHOTOMETRIC FILENAME : L07120801.IES
POLAR GRAPH



Maximum Candela = 848.48 Located At Horizontal Angle = 0, Vertical Angle = 0
1 - Vertical Plane Through Horizontal Angles (0 - 180) (Through Max. Cd.)
2 - Horizontal Cone Through Vertical Angle (0) (Through Max. Cd.)

30° Spot

IES INDOOR REPORT
PHOTOMETRIC FILENAME : L07120802.IES
POLAR GRAPH



Maximum Candela = 254.12 Located At Horizontal Angle = 0, Vertical Angle = 0
1 - Vertical Plane Through Horizontal Angles (0 - 180) (Through Max. Cd.)
2 - Horizontal Cone Through Vertical Angle (0) (Through Max. Cd.)

