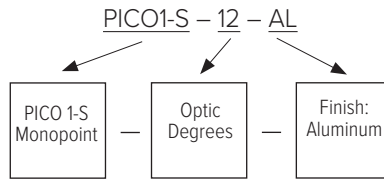
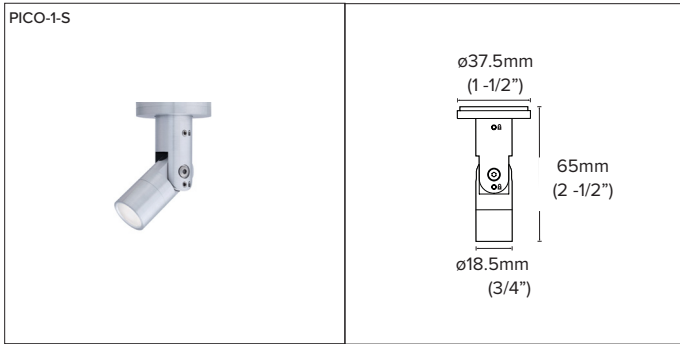


Monopoint Systems

CATALOG NUMBER LOGIC



PICO 1-S Monopoint



PICO-1-Surface Mount Spot with Integral Monopoint, 3000K, 12° or 30° Optic, Aluminum Finish

Catalog Number

PICO1-S-12 or 30-AL

For use with Remote Power Supply(s) - See following page for links to order Power Supply(s).



Monopoint Systems



Category: The minimum profile PICO-1-S Surface Mount Monopoint is perfect for built-in case work or gallery & museums exhibits where space is restricted but require accent illumination.

Material: Extruded and machined aluminum.

Finish: Brushed Aluminum (AL). Contact factory for special order Anodized Bronze (BRZ) or Black (BLK) finish.

Monopoint: PICO-1-Surface Mount Spot with Integral Monopoint for use with a remote 24VDC driver.

Source: 1.9W, 124 lumens, 80-85 CRI, 3000K Kelvin Temperature. Integral heat sink to optimize LED cooling. Contact factory for alternative LED options; 90CRI, 27K, 35K, etc. Power ratings include the LED only, not the power supply. Tegan LED emitters, like all LEDs, undergo a natural depreciation in lumen output. This depreciation is within the specifications of LM80. Extreme ambient temperatures, dusty environments, and power conditions may affect the depreciation. Wattage requirements and lumen output are subject to change with ongoing developments in LED technology.

Optics: 12° | 30°. Refer to [Photometric Report](#) for details. Optic available separately to change in the field: 12° optic (only) (PICO-1-O-12), 30° optic (only) (PICO-1-O-30).

Remote Power

Supply: Ordered separately. Refer to [24VDC Driver Specs sheet](#) for details. If driver(s) are supplied "by others" the warranty and listing are void.

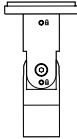
Installation: Pico-1-S MUST BE WIRED IN SERIES. Incorrect installation will damage the LED and LED board, resulting in permanent Spot failure. Refer to [Installation Instructions](#) for details.

Labels: ETL & CE Listed; Tested to UL 1574 - Issue: 2004/09/07 Ed: 3 Rev:2012/01/25 UL Standard for Safety Track Lighting Systems. IP20. Interior use only. In a continuing effort to offer the best product possible we reserve the right to change, without notice, specifications or materials. Technical specification sheets that appear on teganlighting.com are the most recent version and supersede all other versions that exist in any other printed or electronic form. 3 Year Warranty.



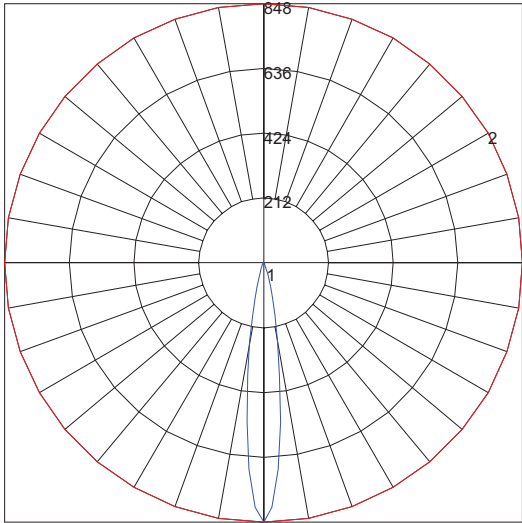
Monopoint Systems

PICO-1-S - Photometrics



12° Narrow Spot

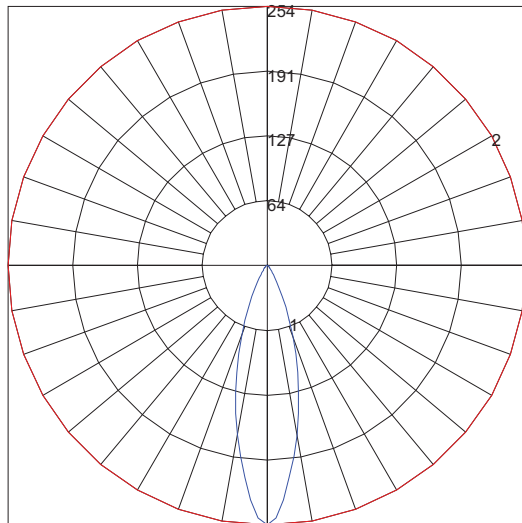
IES INDOOR REPORT
PHOTOMETRIC FILENAME : L07120801.IES
POLAR GRAPH



Maximum Candela = 848.48 Located At Horizontal Angle = 0, Vertical Angle = 0
1 - Vertical Plane Through Horizontal Angles (0 - 180) (Through Max. Cd.)
2 - Horizontal Cone Through Vertical Angle (0) (Through Max. Cd.)

30° Narrow Flood

IES INDOOR REPORT
PHOTOMETRIC FILENAME : L07120802.IES
POLAR GRAPH



Maximum Candela = 254.12 Located At Horizontal Angle = 0, Vertical Angle = 0
1 - Vertical Plane Through Horizontal Angles (0 - 180) (Through Max. Cd.)
2 - Horizontal Cone Through Vertical Angle (0) (Through Max. Cd.)

