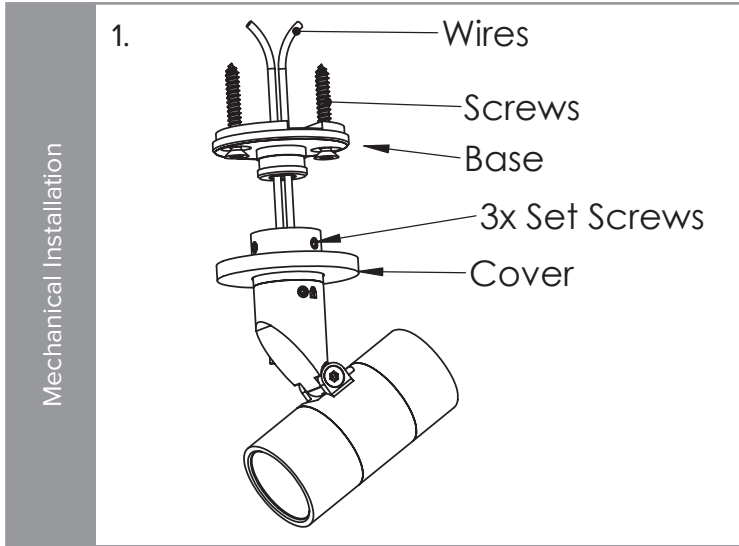


1. CAUTION: Read all instructions.

- Do not install any Spotlight closer than six inches from any curtain or similar combustible material.
- Do not install this system in a damp or wet location.
- Turn off electrical power before modifying the lighting system in any way.
- Ensure the Spotlight connector is attached correctly to the system with no cross threading and is tightened down completely to make contact with the top of the track.
- Ensure all connections are tight. Loose connections can cause overheating, arcing and a potential fire risk.
- Use only as described in these Tegan Lighting Installation Instructions.
- Use only Tegan Lighting supplied accessories.
- Luminaires may be extremely hot, allow to cool before touching.
- These are 24VDC Spotlights; they must be connected to an appropriate 24VDC power supply. Refer to Specification Sheets.
- For proper installation, have a qualified electrician install this product.
- This luminaire must be wired and grounded in accordance standard accepted electrical installation practices, local codes, and ordinances.
- Wire supply connections must be made with U.L. or comparable testing agency-approved connectors.
- Regular cleaning of these products is important. Switch off at main supply and allow to cool before touching. Clean fittings with a soft damp cloth and allow to dry before reconnecting power supply.

ARRI 3-S Surface LED (ARRI 3-S)





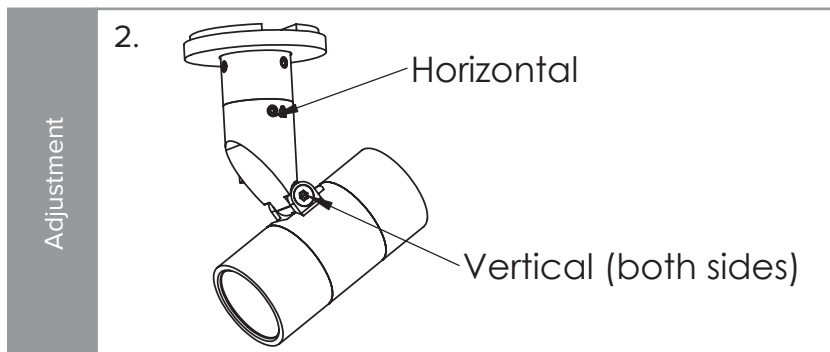
1. Mechanical Installation

- Loosen the 3 set Screws and cover to disassemble the ARRI 3-S.
- Make wire connections inside ceiling or wall with wires passing through base.
- Use screws to install base onto ceiling or wall.
- Tighten 3 set screws onto Base, then thread cover over base.
- Installer must use the correct wire size to ensure proper electrical operation with no voltage drop. Refer to power supplies [Spec Sheet 13](#) for details.

NOTE: Do not exceed maximum number of Spotlights per driver wattage rating, doing so will damage system.

Do not use less than minimum number of ARRI 3-S per driver wattage minimum. Doing so will result in strobing or flickering. Confirm 0-10V dimming controls compatibility with Driver Manufacturer.

- Replace canopy by screwing clockwise to secure.
- Tighten until snug, overtightening can cause damage.

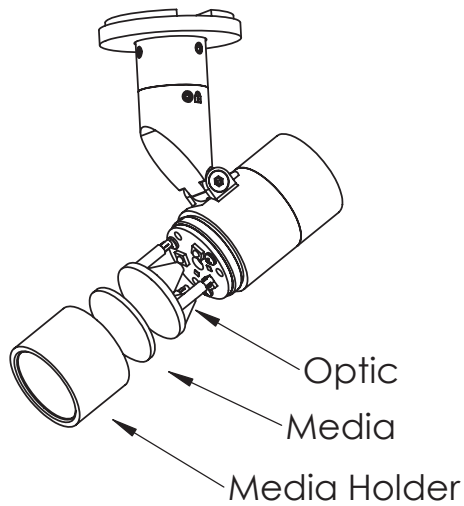


2. Locking the ARRI-3-S in Horizontal and Vertical Adjustment

- Adjust to desired position, using angle gauge if required.
- Lock in position with Allen key. Note: Only adjust position when unlocked.



3.



3. Removing and Installing the LED Optic

- Unscrew front shield to install an alternative optic.
- Line up the optic's "pegs" with indents on LED board. Screw shield onto body until connection is flush.
- Carefully place optional Media inside the Media Holder. Tighten Media Holder until snug. Media Holders are only compatible with a fixed number of media, or Optic only.