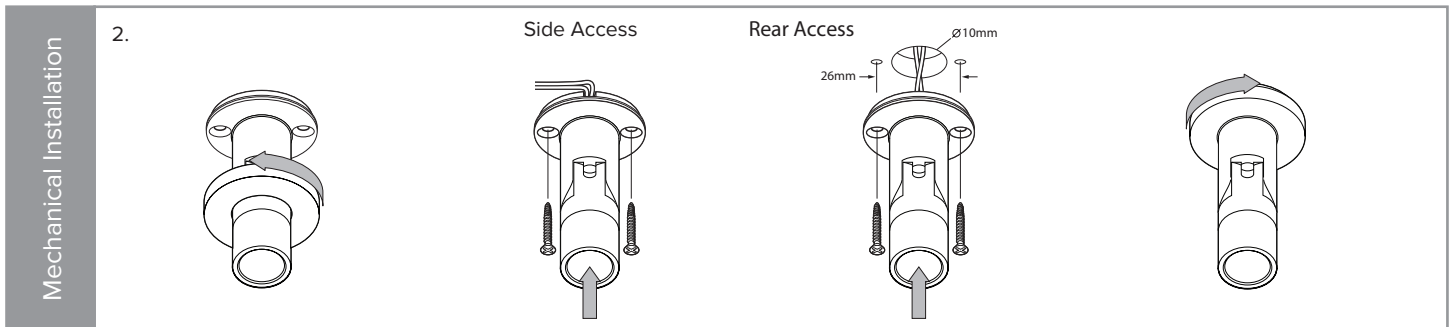


1. CAUTION: Read all instructions.

- Do not install any Spotlight closer than six inches from any curtain or similar combustible material.
- Do not install this system in a damp or wet location.
- Turn off electrical power before modifying the lighting system in any way.
- Ensure all connections are tight. Loose connections can cause overheating, arcing and a potential fire risk.
- Use only as described in these Tegan Lighting Installation Instructions.
- Use only Tegan Lighting supplied accessories.
- Luminaires may be extremely hot, allow to cool before touching.
- These are 24VDC Spotlights; they must be connected to an appropriate 24VDC power supply. Refer to Specification Sheets.
- For proper installation, have a qualified electrician install this product.
- This luminaire must be wired and grounded in accordance standard accepted electrical installation practices, local codes, and ordinances.
- Wire supply connections must be made with U.L. or comparable testing agency-approved connectors.
- Regular cleaning of these products is important. Switch off at main supply and allow to cool before touching. Clean fittings with a soft damp cloth and allow to dry before reconnecting power supply.
- Pico 1-S power supplies come in two sizes (12w non-dim and 0-10V dim/24w non-dim and 0-10V dim). The 12watt will run from 1 to 6 Pico 1-S **in series**. The 24watt will run from 7 to 16 **in series**. For either supply, the loading of Pico 1-S must always be as **one string** of series-connected monopoints. There can be no splitting of the circuit into multiple strings, or any kind of parallel hook up. Permanent, fatal damage to modules will result.

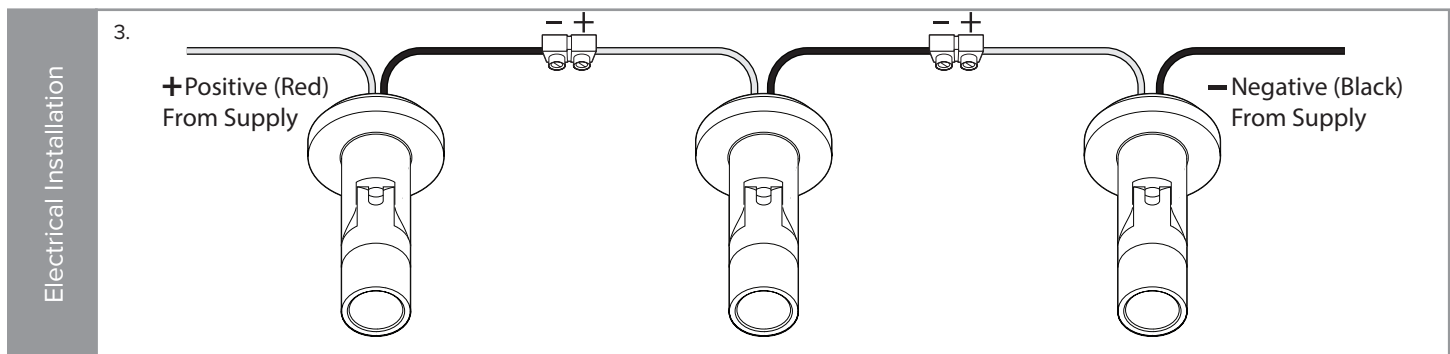
Pico 1 - Surface LED (Pico 1-S)





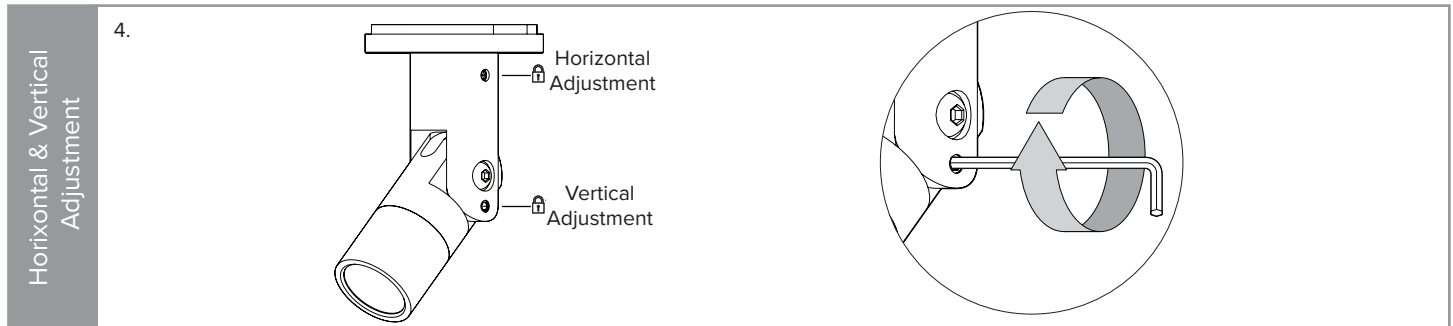
2. Mechanical Installation

- CAUTION fixture may be extremely hot. Allow to cool before touching.
- Unscrew canopy counterclockwise to remove.
- If no rear access is available, secure in place using screws provided, running cables out the side of the monopoint.
- If rear access is available, secure in place using screws provided.
- Installer must use the correct wire size to ensure proper electrical operation with no voltage drop. Refer to Power Supplies [Spec Sheet 13](#) for details.
- Replace canopy by screwing clockwise to secure.
- Tighten until snug, overtightening can cause damage.



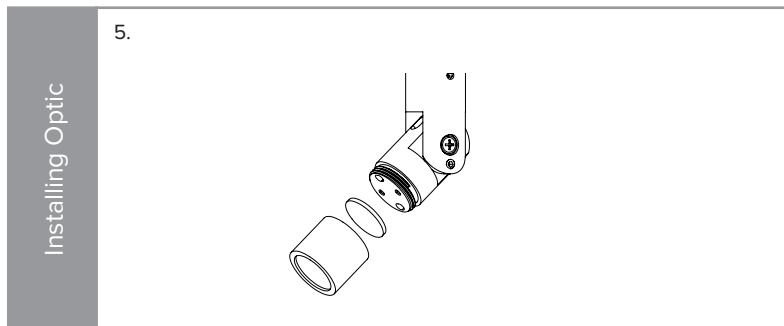
3. Electrical Installation - Wired in Series

- Main power supply to the driver must be OFF before and during connection and disconnection.
- Multiple fittings on one circuit must be connected in series.
- Remote driver required.
- **NOTE: Do not exceed maximum number of Spotlights per driver wattage rating, doing so will damage system. Do not use less than minimum number of Pico 1-S per driver wattage minimum. Doing so will result in strobing or flickering. Confirm 0-10V dimming controls compatibility with Driver Manufacturer.**
- **NOTE: Pico 1-S power supplies come in two sizes (12w non-dim and 0-10V dim/24w non-dim and 0-10V dim). The 12watt will run from 1 to 6 Pico 1-S in series. The 24watt will run from 7 to 16 in series. For either supply, the loading of Pico 1-S must always be as one string of series-connected monopoints. There can be no splitting of the circuit into multiple strings, or any kind of parallel hook up. Permanent, fatal damage to modules will result.**



4. Locking the Pico 1 - Surface LED in Horizontal and Vertical Adjustment

- Adjust to desired position, using angle gauge if required.
- Lock in position using 2mm Allen key provided.
- NOTE: Only adjust position when unlocked.



5. Removing and Installing an LED Optic

- Unscrew front shield to install an alternative optic.
- Line up the optic's "pegs" with indents on LED board. Screw shield onto body until connection is flush.