

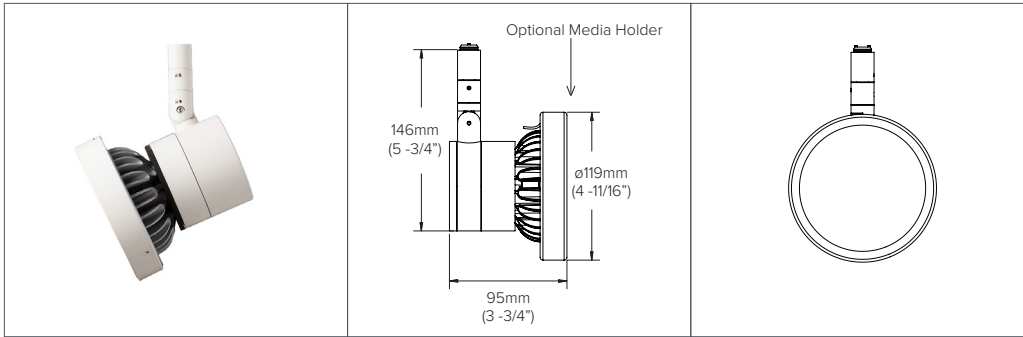
HEADS – MONOPOINT MOUNT

CATALOG NUMBER LOGIC

ARTE – AR-111 – AL – AARMH X 3 – AARHCLB

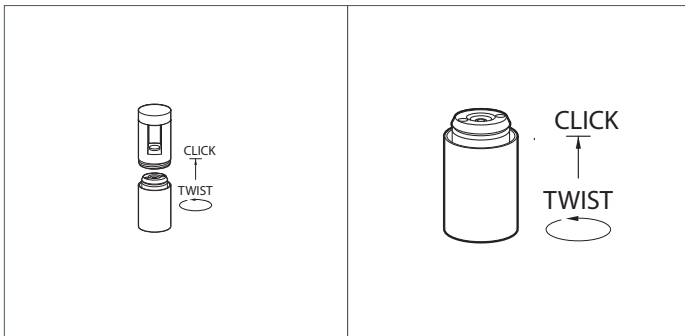
SPOT	AR-111 SORAA LAMP	FINISH ALUMINUM	ARTE-AR-111 MEDIA HOLDER 3	ARTE-AR-111 HONEYCOMB LOUVER
------	-------------------------	--------------------	----------------------------------	------------------------------------

SPOTLIGHTS



Arte-AR-111 LED Spot, Monopoint Mount, Brushed Aluminum, White or Black Finish (ARTE-AR-111-AL, BLK or WH)

The Arte-AR-111 Spotlight was designed for exclusive use with the Soraa AR-111 LED lamp, combining design excellence with precision engineering. It also features excellent beam control with the use of Media. Shown with optional Media Holder; ordered separately. Refer to Accessories for details. Supplied with a locking tool.



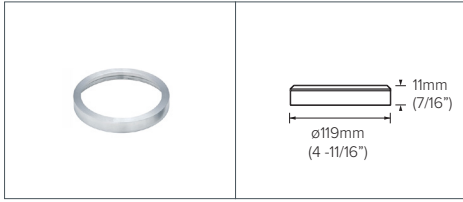
Twist & Click System

The Twist & Click system allows the Spotlights to be easily removed. The Spotlights “click” into the jack plug socket, the threaded jacket then “twists” into position to lock the connection in place. Once fixed, the luminaires are free to rotate or can be secured using two locking pins.

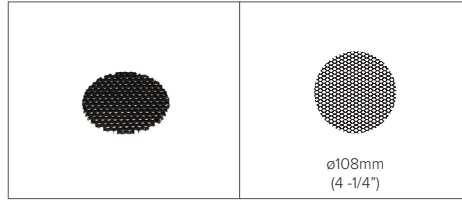
HEADS – MONOPOINT MOUNT

MEDIA ACCESSORIES

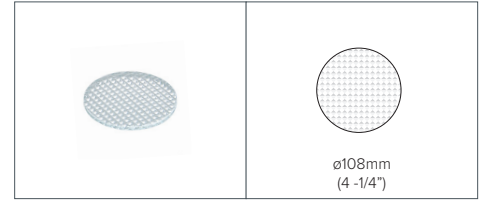
Arte-MR-111 can be used with Tegan’s Media Holder and Media Accessories or Soraa Media. Contact the factory for Soraa Media ordering.



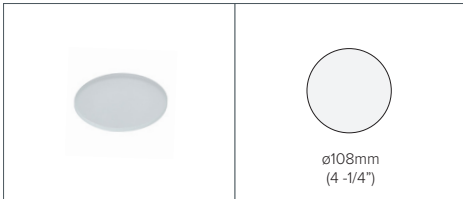
Arte-AR-111 Media Holder 3 (AARMHX3)
Can accommodate up to three (3) Media. Aluminum (AL), Black (BLK), or White (WH) finish options.



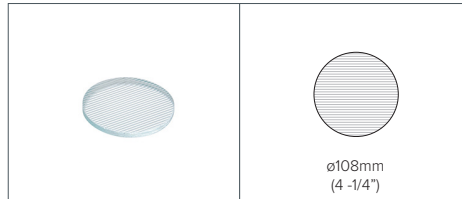
Arte-AR-111 Honeycomb Louver (AARHCLB)
1/8" Hexcell black metal. Controls spill & glare. Must use Arlo Media holder with this accessory.



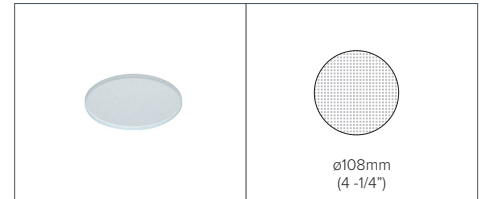
Arte-AR-111 Prismatic Lens (AARPL)
Creates a symmetrical broadening of the lamp beam. Must use Arlo Media holder with this accessory.



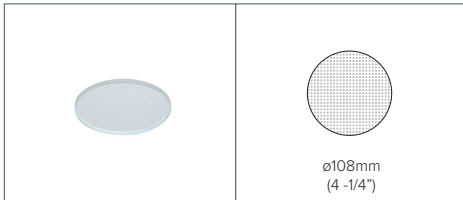
Arte-AR-111 Sandblasted Lens (AARSBL)
Creates an uniform beam pattern that is useful for wall washing. Must use Arlo Media holder with this accessory.



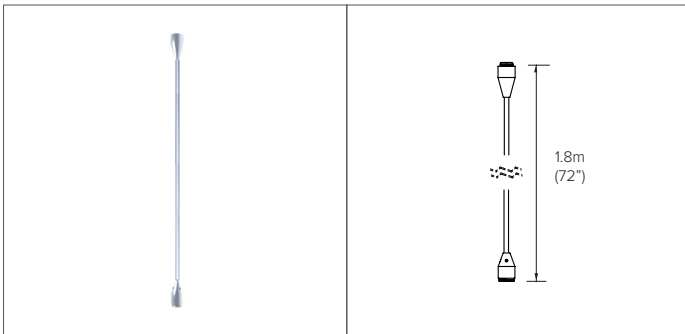
Arte-AR-111 Linear Spread Lens (AARLSL)
Will extend the lamp’s beam along one axis, allowing highlighting of wider areas from a single fixture. Must use Arlo Media holder with this accessory.



Arte-AR-111 Softening Lens (AARSFL)
Smooths and widens irregular beam pattern. Must use Arlo Media holder with this accessory.



Arte-AR-111 Solite Lens (AARSOL)
Tempered low-iron optically clear glass with a stipple effect that provides obscurity while retaining high transmission values and minimal absorption. Must use Arlo Media holder with this accessory.



72” Spot Stem Extension, Aluminum, Black or White Finish (SPOT-EXT72-AL, BLK or WH)

Spot Stem Extension for use with Monopoints. Attaches to the Claro Spot for an extension up to 72”. Spot Extensions can be shortened in the field or at the factory for an additional cost.

Note: A Sloped Ceiling Adapter must be added for use in Sloped Ceilings with Monopoints; refer to the Monopoint Specification Sheets under “Accessories” for details. Refer to Installation Instructions for details. Contact the factory for a special order Double Spot Extension.

HEADS – MONOPOINT MOUNT

FINISH



Arte-AR-111
Aluminum finish (AL), rear view with Tegan Media Holder.



Arte-AR-111
Aluminum finish (AL), front view with two Soraa Snap-On Media. No Media Holder.



Arte-AR-111
Aluminum Finish (AL), side view with two Soraa Snap-On Media. No Media Holder.



Arte-AR-111 with Flat Plate Monopoint
White finish (WH), side view with Tegan Media Holder. Shown mounted to a Monopoint, order separately.

EXAMPLE SYSTEMS

MONOPOINT INTEGRAL POWER CEILING MOUNT



MONOPOINT REMOTE POWER CEILING MOUNT



HEADS – MONOPOINT MOUNT



- Category:** The Arte-AR-111 is part of a series of highly engineered spotlights with beautifully machined brushed finishes and a clean architectural design. Exclusively designed to accommodate the Soraa AR-111 LED lamp either in an open design for use with Soraa's optional "Snap-On" Media or with Tegan's Media Holder that will accommodate up to three (3) media.
- Material:** Machined aluminum.
- Finish:** Brushed Aluminum (AL), Black (BLK), or White (WH). Contact factory for special order finishes.
- System:** Monopoints and Power Supplies ordered separately to make a complete System. Claro Spot has a modular design and is compatible with Remote Power or Integral Power Monopoints.
- Adjustment:** Smooth, 360° bearing rotation with 90° locking vertical adjustment.
- Source:** One Soraa (only) 18.5W (max) or 12.5W AR-111 LED 12VAC lamp with G53 base or lamp by others. Contact factory to order Soraa AR-111 LED lamps and "Snap-On" Media.
- Installation:** There is a locking mechanism in the Spot base to secure the AR111 lamp. Tegan's optional Media Holder is secured to the Soraa lamp with set screws (2). Refer to Arte-AR-111 Spot Installation Instructions for details.
- Accessories:** Arte-AR-111 Media Holder X 3 (AARMHx3), Arte-AR-111 Honeycomb Louver - Black (AARHCLB), Arte-AR-111 Prismatic Lens (AARPL), Arte-AR-111 Sandblasted Lens (AARSBL), Arte-AR-111 Linear Spread Lens (AARLSL), Arte-AR-111 Softening Lens (AARSFL), Arte-AR-111 Solite Lens (AARSOL). 72" Spot Extension (SpotExt72).
- Labels:** ETL & CE Listed; Tested to UL 1574 - Issue: 2004/09/07 Ed: 3 Rev:2012/01/25 UL Standard for Safety Track Lighting Systems. IP20. Interior use only. In a continuing effort to offer the best product possible we reserve the right to change, without notice, specifications or materials. Technical specification sheets that appear on teganlighting.com are the most recent version and supersede all other versions that exist in any other printed or electronic form. 3 Year Warranty.