

HEADS – MONOPOINT MOUNT

CATALOG NUMBER LOGIC

ARLO – SGS – AL – AOMHX3-16 – AOHCLB-16

SPOT

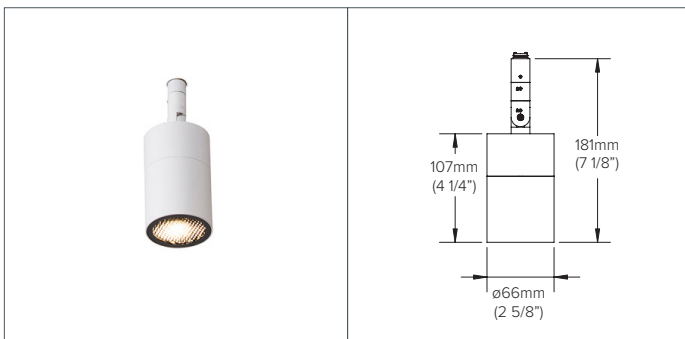
SHORT
GLARE
SHIELD

ALUMINUM
FINISH

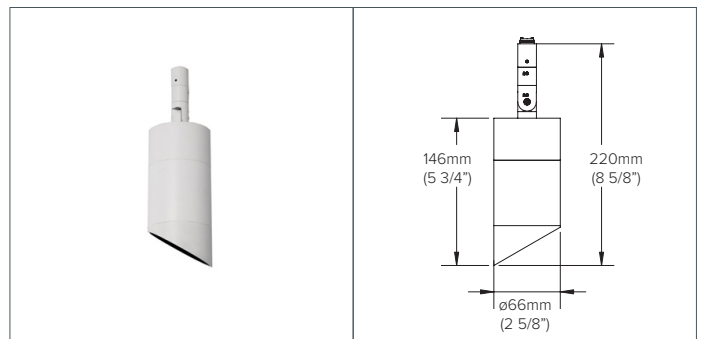
ARLO MEDIA
HOLDER X 3-16

ARLO
HONEYCOMB
LOUVER 16

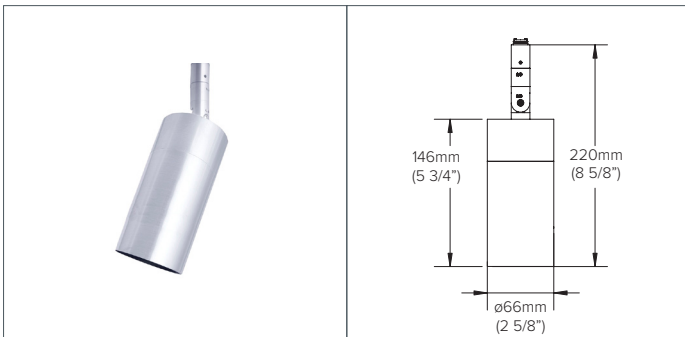
SPOTLIGHTS



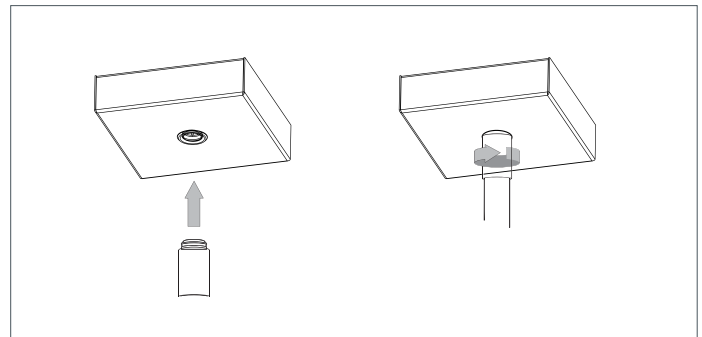
Arlo Short Glare Shield Spot, Monopoint Mount, Aluminum, White, Black, Bronze* or Brushed Brass* Finish (ARLO-SGS-AL, WH, BLK, BRZ*, BBR*)



Arlo Angled Glare Shield Spot w/ Integral 3 Media Holder, Monopoint Mount, Aluminum, White, Black, Bronze* or Brushed Brass* Finish (ARLO-AGS-AL, WH, BLK, BRZ*, BBR*)



Arlo Long Glare Shield Spot, Monopoint Mount, Aluminum, White, Black, Bronze* or Brushed Brass* Finish (ARLO-LGS-AL, WH, BLK, BRZ*, BBR*)



Click & Twist System

The Click & Twist design is universal and allows the Spots to be easily removed. Push the Spot up into the mating Monopoint jack plug socket to “click”, then “twist” the threaded jacket into position to make a secure, locked connection. Once fixed, the Spots are free to rotate or can be secured using two locking pins.

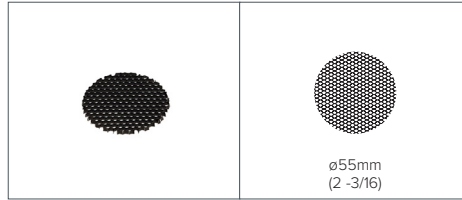
The Arlo with Short, Angled or Long Glare Shield is a fully adjustable LED MR-16 Spot with horizontal and vertical locking. Supplied with locking tool. The Angled Glare Shield features a specular wall wash kicker reflector. *Contact factory for special order Bronze and Polished Brass, minimum order of 30. Optional regressed Arlo Three Media Holder with various Media options. 12VAC, dimmable operation. Combine with Tegan Lighting’s array of Integral Power or Remote Power (requires a separate remote power supply) Monopoints to make a complete system. Refer to Monopoint Specification Sheets.

HEADS – MONOPOINT MOUNT

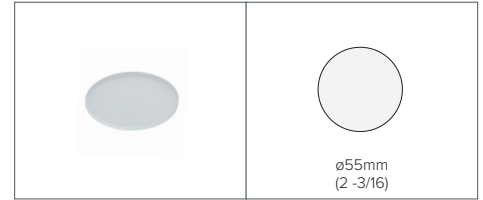
MEDIA ACCESSORIES



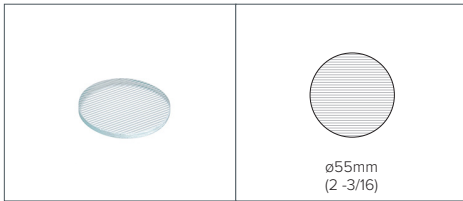
Arlo Media Holder x 3-16 (AOMHx3-16)
 Accommodates up to three Media. For use with SGS and LGS only.



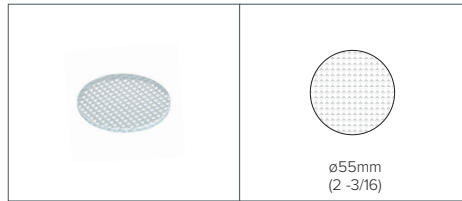
Arlo Honeycomb Louver 16 (AOHCLB-16)
 1/8" Hexcell black metal. Controls spill & glare. Must use Arlo Media holder with this accessory.



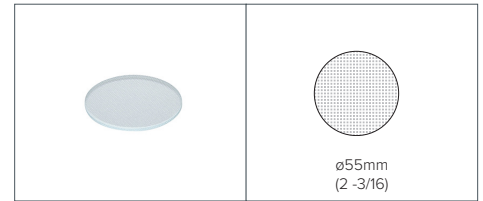
Arlo Sandblasted Lens 16 (AOSBL-16)
 Creates a uniform beam pattern that is useful for wall washing. Must use Arlo Media holder with this accessory.



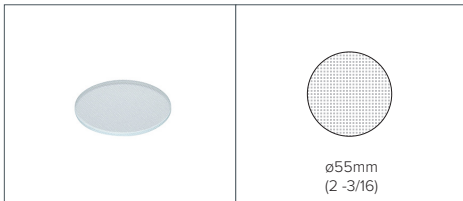
Arlo Linear Spread Lens 16 (AOLSL-16)
 Will extend the lamp's beam along one axis, allowing highlighting of wider areas from a single fixture. Must use Arlo Media holder with this accessory.



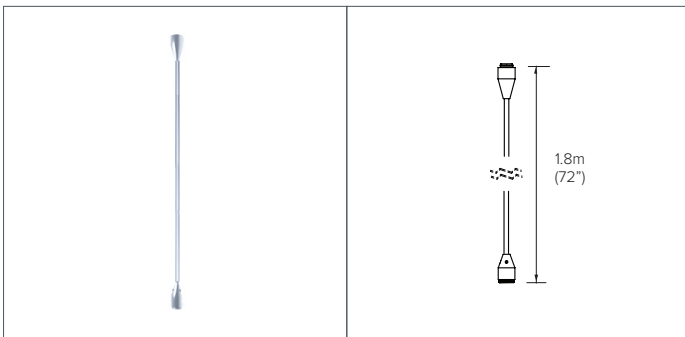
Arlo Prismatic Lens 16 (AOPL-16)
 Creates a symmetrical broadening of the beam. Must use Arlo Media holder with this accessory.



Arlo Softening Lens 16 (AOSFL-16)
 Smooths and widens irregular beam pattern. Must use Arlo Media holder with this accessory.



Arlo Solite Lens 16 (AOSOL - 16)
 Tempered low-iron optically clear glass with a stipple effect that provides obscurity while retaining high transmission values and minimal absorption. Must use Arlo Media holder with this accessory.



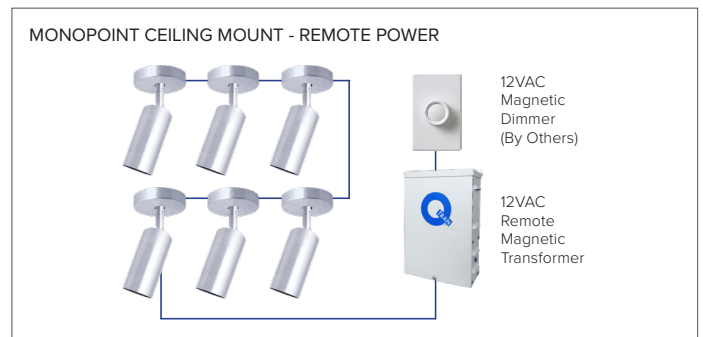
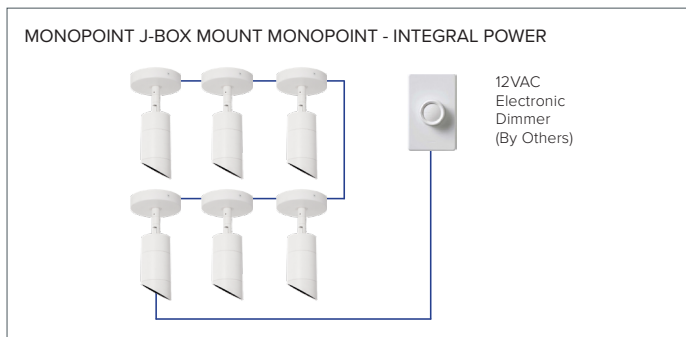
72" Spot Stem Extension, Aluminum, Black or White Finish (SPOT-EXT72-AL, BLK or WH)

Spot Stem Extension for use with Monopoints. Attaches to the Spot for an extension up to 72". Spot Extensions can be shortened in the field or at the factory for an additional cost.

Note: A Sloped Ceiling Adapter must be added for use in Sloped Ceilings with Monopoints; refer to the Monopoint Specification Sheets under "Accessories" for details. Refer to Installation Instructions for details. Contact the factory for a special order Double Spot Extension.

HEADS – MONOPOINT MOUNT

EXAMPLE SYSTEM



COMPATIBLE MONOPOINTS AND POWER SUPPLIES TO CREATE A COMPLETE SYSTEM

(Ordered separately, examples shown here)

[Monopoints and Power Supplies](#). Click this link to access the details below.



REMOTE POWER
SUPPLIES



MONOPOINTS
INTEGRAL POWER
SUPPLY



MONOPOINTS
REMOTE POWER
SUPPLY

HEADS – MONOPOINT MOUNT



- Category:** The Arlo LED MR-16 Spot with locking horizontal and vertical adjustment. The specially designed heat sink and airflow system reduces the lamp and fixture surface temperature. No side or back illumination. Three standard Glare Shield options provide brightness control with a Click & Twist bayonet mechanism. Optional Regressed Media Holder can accommodate up to three Media.
- Spot:** Arlo - Short Glare Shield (Arlo - SGS), Arlo - Angled Glare Shield (Arlo - AGS), Arlo - Long Glare Shield (Arlo - LGS).
- Material:** Machined aluminum or special order.
- Finish:** Brushed Aluminum (AL), Matte White (WH), Matte Black (BLK); Special order finishes: Oil Rubbed Bronze (BRZ) & Brushed Brass (BBR); minimum of 30.
- System:** Monopoints and Power Supplies ordered separately to make a complete System. Arlo Spot has a modular design and is compatible with Remote Power or Integral Power Monopoints.
- Adjustment:** Smooth, 360° bearing rotation with 90° vertical adjustment. Lockable pan and tilt.
- Source:** Accommodates LED MR-16, 12VAC (GU5.3 Bi-Pin) lamp. Tegan can supply Soraa lamps. Note that all LED MR-16 lamps (Cree, Soraa, etc.) are rated for different operating conditions as per the lamp manufacturer. In addition, they are subject to frequent changes in recommended operating conditions and/or Spot compatibility. Please carefully check to ensure the lamp specified is rated to be compatible with the selected Tegan Spot. Contact factory to order LED lamps. For dimming LED MR-16 lamps (Soraa) with 12VAC transformers, please refer to the Power Supply Specs sheet.
- Installation:** Refer the Arlo Installation Sheet for details.
- Accessories:** Arlo Media Holder x 3-16 (AOMHx3-16), Arlo Honeycomb Louver Black (AOHCLB-16), Arlo Prismatic Lens (AOPL-16), Arlo Sandblasted Lens (AOSBL-16), Arlo Linear Spread Lens (AOLSL-16), Arlo Softening Lens (AOSFL-16), Arlo Solite Lens (AOSOL-16). 72" Spot Extension (SpotExt72).
- Labels:** ETL & CE Listed; Tested to UL 1574 - Issue: 2004/09/07 Ed: 3 Rev:2012/01/25 UL Standard for Safety Track Lighting Systems. IP20. Interior use only. In a continuing effort to offer the best product possible, we reserve the right to change, without notice, specifications or materials. Technical specification sheets that appear on teganlighting.com are the most recent version and supersede all other versions that exist in any other printed or electronic form. 3-Year Warranty.