

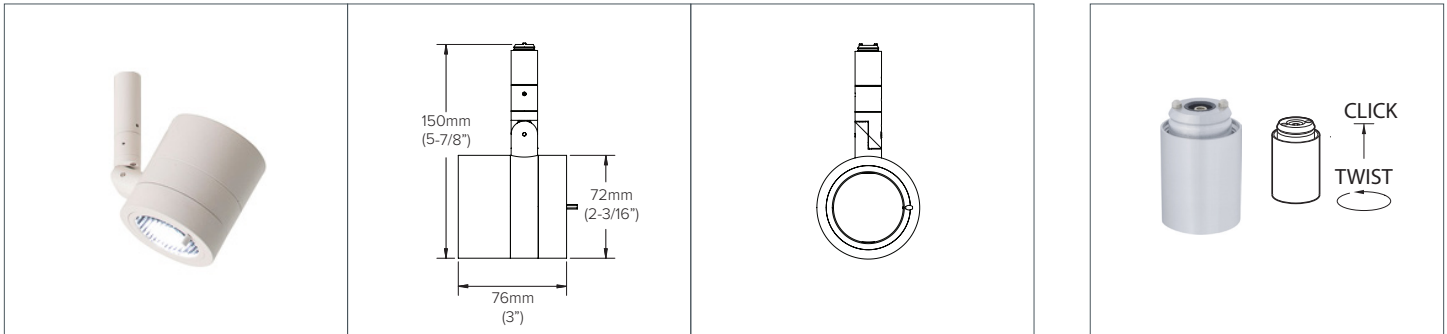
HEADS – MONOPOINT MOUNT

CATALOG NUMBER LOGIC

ARTE-MR-16 – AL – AMR-WWK



SPOTLIGHTS



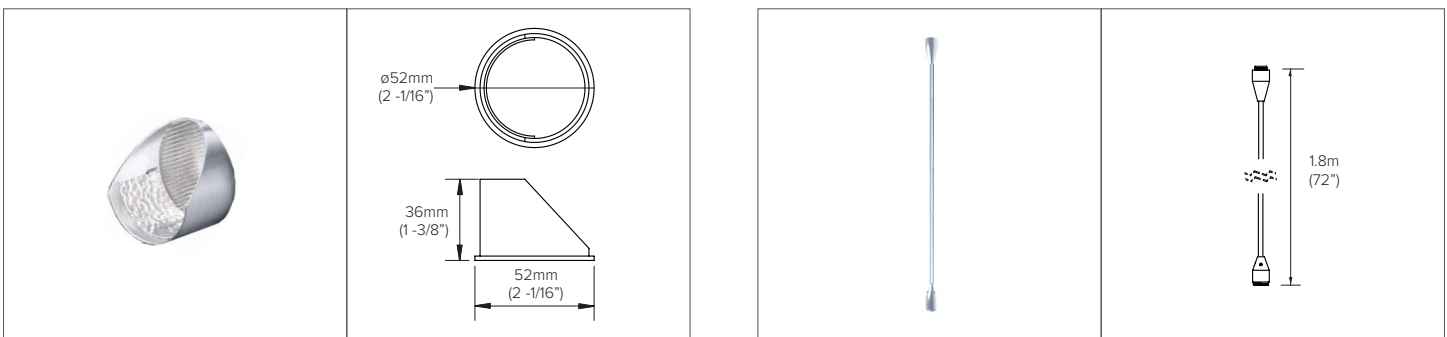
ARTE-MR-16 Monopoint Mount, Brushed Aluminum, White or Black Finish (ARTE-MR-16-AL/BLK/WH)

The ARTE-MR-16 Spot includes a specially designed flush media holder and aiming tab with 360° rotation that can accommodate up to three lenses and/or louvers. Aluminum (AL), White (WH), or Black (BLK) finish options.

Click & Twist System

The Click & Twist connection design allows Spots to be easily removed. The Spot clicks into the jack plug socket, the threaded jacket then screws into position to lock the connection in place. Once installed, the Spot can be rotated vertically and horizontally to achieve the designed aim angle.

ACCESSORIES



Arte-MR-16 Wall Wash Kicker Reflector (AMR-WWK)

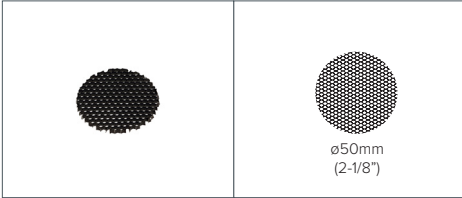
Provides a spill of light onto the wall or ceiling. Reflector finish options: Aluminum (AL), White (WH) or Black (BLK).

72” Spot Stem Extension, Aluminum, Black or White Finish (SPOT-EXT72-AL, BLK or WH)

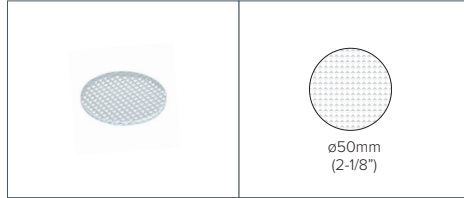
Spot Stem Extension for use with Monopoints. Attaches to the ARTE-MR-16 Spot for an extension up to 72”. Spot Extensions can be shortened in the field or at the factory for an additional cost. Note: A Sloped Ceiling Adapter must be added for use in Sloped Ceilings with Monopoints; refer to the Monopoint Specification Sheets under “Accessories” for details. Refer to Installation Instructions for details. Contact the factory for a special order Double Spot Extension.

HEADS – MONOPOINT MOUNT

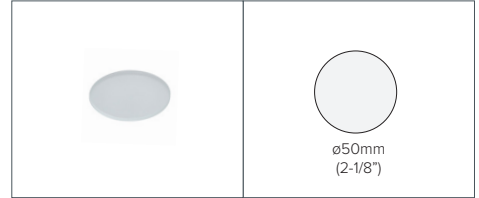
MEDIA ACCESSORIES



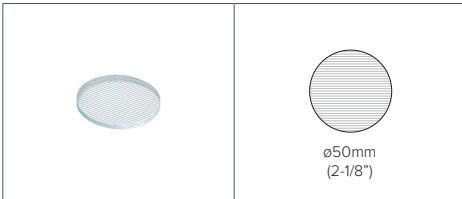
ARTE-MR-16 Honeycomb Louver 16 (AMR-HCL-16-BLK)
 1/8" Hexcell black metal. Controls spill illumination and glare.



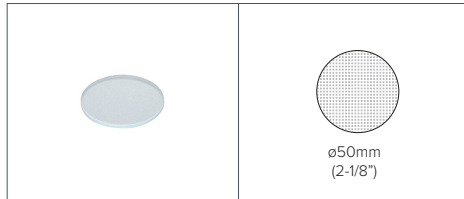
ARTE-MR-16 Prismatic Lens 16 (AMR-PL-16)
 Tempered low-iron glass. Creates a symmetrical broadening of the lamp beam.



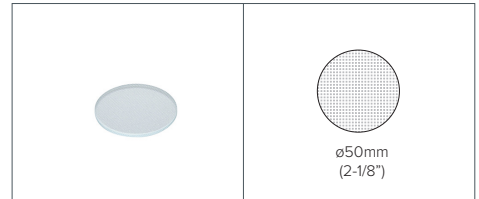
ARTE-MR-16 Sandblasted Lens 16 (AMR-SBL-16)
 Tempered low-iron glass. Creates a uniform beam pattern that is useful for wall washing.



ARTE-MR-16 Linear Spread Lens 16 (AMR-LSL-16)
 Tempered low-iron glass. Will extend the lamp's beam along one axis to allow highlighting of wider areas from a single fixture.



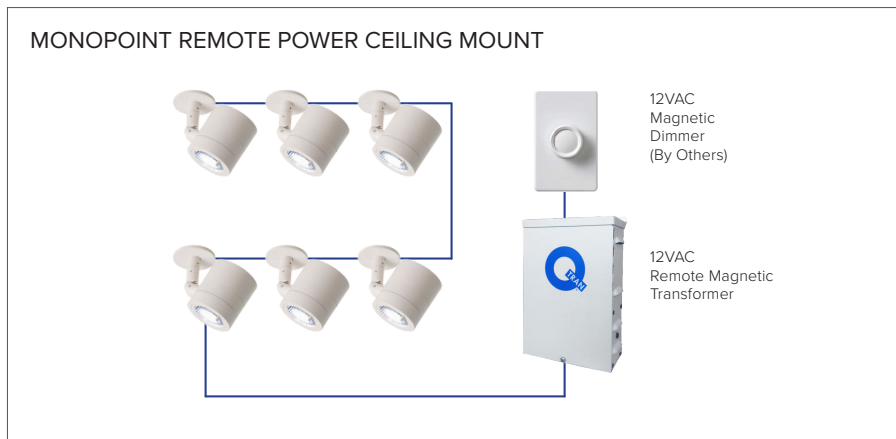
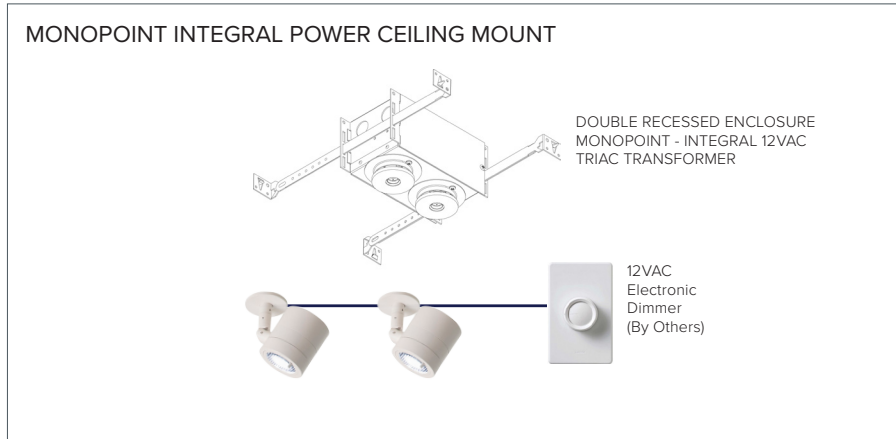
ARTE-MR-16 Softening Lens 16 (AMR-SFL-16)
 Tempered low-iron glass. Smooths and widens irregular beam pattern.



ARTE-MR-16 Solite Lens 16 (AMR-SOL-16)
 Tempered low-iron optically clear glass with a stipple effect that provides obscurity while retaining high transmission values and minimal absorption.

HEADS – MONOPOINT MOUNT

EXAMPLE SYSTEMS



COMPATIBLE MONOPOINTS AND POWER SUPPLIES TO CREATE A COMPLETE SYSTEM

(Ordered separately, examples shown here)

[Monopoints and Power Supplies](#). Click this link to access the details below.



REMOTE POWER
SUPPLIES



MONOPOINTS
REMOTE POWER
SUPPLY



MONOPOINTS
INTEGRAL POWER
SUPPLY

HEADS – MONOPOINT MOUNT



Category: The ARTE-MR-16 LED Spot was engineered for sophisticated applications such as galleries, retail, museums and high end residential projects. It features a highly engineered, architectural and compact profile made of machined aluminum with a beautiful brushed finish. It also includes a specially designed flush media holder and aiming tab with 360° rotation that can accommodate up to three lenses and/or louvers. ARTE-MR-16 is part of a family of compact Spots that offer unique architectural styling for the newest lamp technology.

Material: Machined aluminum.

Finish: Brushed Aluminum (AL), Black (BLK) or White (WH). Contact factory for special order finishes.

System: Monopoints and Power Supplies ordered separately to make a complete System. ARTE-MR-16 Spot has a modular design and is compatible with Remote Power or Integral Power Monopoints.

Adjustment: Smooth, locking 360° bearing rotation with 90° locking vertical adjustment. Integral 3 Media Holder rotates 360° with an aiming tab.

Source: Accommodates LED MR-16, 12VAC (GU5.3 Bi-Pin) lamp. Tegan can supply Soraa lamps. Note that all LED MR-16 lamps (Cree, Soraa, etc.) are rated for different operating conditions as per the lamp manufacturer. In addition, they are subject to frequent changes in recommended operating conditions and/or Spot compatibility. Please carefully check to ensure the lamp specified is rated to be compatible with the selected Tegan Spot. Contact factory to order LED lamps. For dimming LED MR-16 lamps (Soraa) with 12VAC transformers, please refer to the Power Supply Specs sheet.

Installation: Refer to ARTE-MR-16 Installation Instructions for details.

Accessories: ARTE-MR-16 Wall-Wash Kicker Reflector (AMR-WWK), Honeycomb Louver 16 - Black (AMR-HCL-16-BLK), Prismatic Lens 16 (AMR-PL-16), Sandblasted Lens 16 (AMR-SBL-16), Linear Spread Lens 16 (AMR-LSL-16), Softening Lens 16 (AMR-SFL-16), Solite Lens 16 (AMR-SOL-16), 72" Spot Extension (SPOT-EXT72), 72" Double Spot Extension (DSPOT-EXT72) - Contact factory.

Labels: ETL & CE Listed; Tested to UL 1574 - Issue: 2004/09/07 Ed: 3 Rev:2012/01/25 UL Standard for Safety Spot Lighting Systems. IP20. Interior use only. In a continuing effort to offer the best product possible we reserve the right to change, without notice, specifications or materials. Technical specification sheets that appear on teganlighting.com are the most recent version and supersede all other versions that exist in any other printed or electronic form. 3 Year Warranty.