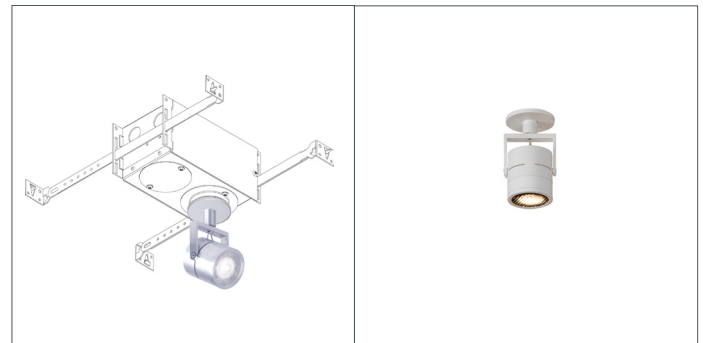
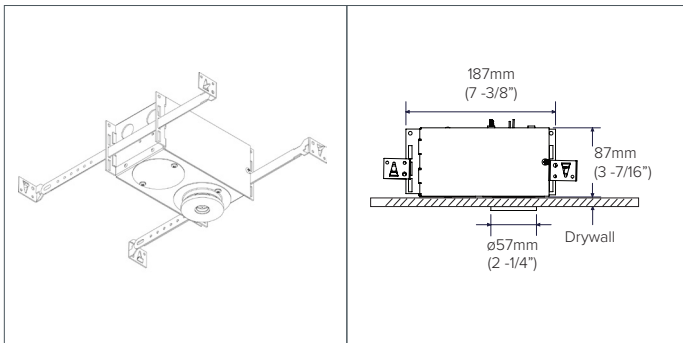


MONOPOINT SYSTEMS

CATALOG NUMBER LOGIC



SINGLE RECESSED MONOPOINT ENCLOSURE, INTEGRAL POWER SUPPLY



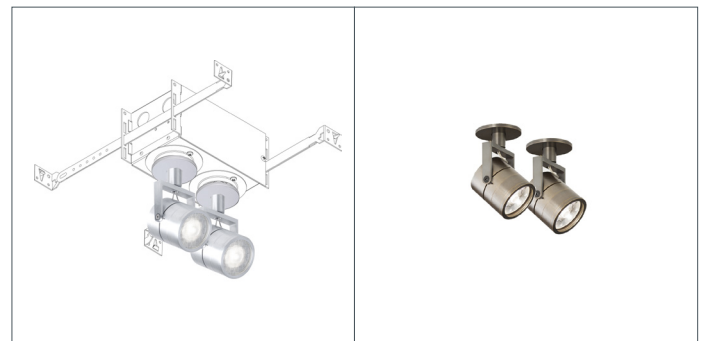
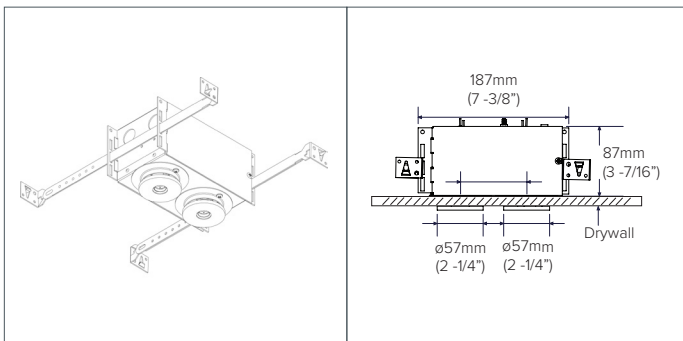
Monopoint, for Single Spot, Non-IC Recessed Enclosure, Integral Driver (ID) or Transformer (IT), Aluminum, Black or White Trim Finish

MP-1-RE-12ID-0-10VDM-120/277V-AL, BLK or WH (Dimming)
 MP-1-RE-12ID-120/277V-AL, BLK or WH (Non-Dimming)
 MP-1-RE-15IT-DM-120V-AL, BLK, BRZ or WH (Dimming)
 MP-1-RE-15IT-277V-AL, BLK, BRZ or WH (Non-Dimming)
 MP-1-RE-108IT-DM-120V-AL, BLK or WH (Dimming)
 MP-1-RE-108IT-277V-AL, BLK or WH (Non-Dimming)

Example: Shown with a Claro Spot (ordered separately).

Example: Shown as installed after drywall mudding with a Claro Spot (ordered separately).

DOUBLE RECESSED MONOPOINT ENCLOSURE, INTEGRAL POWER SUPPLY



Monopoint, for Double Spots, Non-IC Recessed Enclosure, Integral Driver (ID) or Transformer (IT), Aluminum, Black or White Trim Finish

MP-2-RE-35ID-0-10VDM-120/277V-AL, BLK or WH (Dimming)
 MP-2-RE-35ID-120/277V-AL, BLK or WH (Non-Dimming)
 MP-2-RE-30IT-DM-120V-AL, BLK, BRZ or WH (Dimming)
 MP-2-RE-30IT-277V-AL, BLK, BRZ or WH (Non-Dimming)
 MP-2-RE-108IT-DM-120V-AL, BLK or WH (Dimming)
 MP-2-RE-108IT-277V-AL, BLK or WH (Non-Dimming)

Example: Shown with a Claro Spot (ordered separately).

Example: Shown as installed after drywall mudding with a Claro Spot (ordered separately).

Notes:

1. Double Recessed Monopoint is compatible with one or two Spots.
2. Refer to chart below for Spot compatibility per integral power supply wattage. Ordered separately to create a complete System.
3. Contact factory for special order Brushed Brass or Oil Rubbed Bronze Trim for Integral Transformer (IT) only.

MONOPOINT SYSTEMS

RECESSED MONOPOINT COMPATIBILITY CHART

12VAC Integral Transformer for Single and Double Recessed Monopoint Enclosure^{1,2,4,5}

MONOPOINT TYPE	TRANSFORMER DESCRIPTION	WATTS ¹	MIN/MAX ³	TYPICAL DRIVER LINK ^{1,2,3}	COMPATIBLE SPOTS
MP-1-RE-15IT-DM-120V	15W Transformer, 12VAC, Dimming, 120V	15W	1/15	Hatch-RS12-LED01	1 - Claro, Evo, Arlo, Arte-MR16 or Tiro Spot with 7.5W (max) LED MR-16 Lamp
MP-1-RE-15IT-277V	15W Transformer, 12VAC, Non-Dimming, 277V	15W	1/15	Hatch-RS12-LED01	1 - Claro, Evo, Arlo, Arte-MR16 or Tiro Spot with 7.5W (max) LED MR-16 Lamp
MP-1-RE-108IT-DM-120V	108W Transformer, 12VAC, Dimming, 120V	108W	5/108	Hatch-RS12-108-120V	1 - Arte-AR111 with 18.5W (max) AR-111 Lamp
MP-1-RE-108IT-277V	108W Transformer, 12VAC, Non-Dimming, 277V	108W	5/108	Hatch-RS12-108-277V	1 - Arte-AR111 with 18.5W (max) AR-111 Lamp
MP-2-RE-30IT-DM-120V	30W Transformer, 12VAC, Dimming, 120V	30W	1/30	Hatch-RS12-LED01	2 - Claro, Evo, Arlo, Arte-MR16 or Tiro Spot with 7.5W (max each) LED MR-16 Lamp
MP-2-RE-30IT-277V	30W Transformer, 12VAC, Non-Dimming, 277V	30W	1/30	Hatch-RS12-LED01	2 - Claro, Evo, Arlo, Arte-MR16 or Tiro Spot with 7.5W (max each) LED MR-16 Lamp
MP-2-RE-108IT-DM-120V	108W Transformer, 12VAC, Dimming, 120V	108W	5/108	Hatch-RS12-108-120V	2 - Arte-AR111 with 18.5W (max each) AR-111 Lamp
MP-2-RE-108IT-277V	108W Transformer, 12VAC, Non-Dimming, 277V	108W	5/108	Hatch-RS12-108-277V	2 - Arte-AR111 with 18.5W (max each) AR-111 Lamp

24VDC Integral Driver for Single and Double Recessed Monopoint Enclosure^{1,2,3}

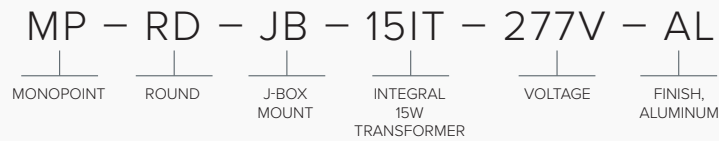
MONOPOINT CATALOG #	DRIVER DESCRIPTION	WATTS ¹	MIN/MAX ³	TYPICAL DRIVER LINK ^{1,2,3}	COMPATIBLE SPOTS
MP-1-RE-12ID-120/277V	12W Driver, 0-10V 24VDC Non-Dimming, 120/277V	12W	1/15	APV-12-24	1 - Pico1 or Oculus
MP-1-RE-12ID-0-10VDM-120/277V	12W Driver, 0-10V 24VDC Non-Dimming, 120/277V	12W	1/15	APV-12-24 ± GRE Alpha SLD-DIM1B	1 - Pico1 or Oculus
MP-2-RE-35ID-0-10VDM-120/277V	12W Driver, 0-10V 24VDC Non-Dimming, 120/277V	35W	1/35	Roal-Tran-RSLP035 ± GRE Alpha SLD-DIM1B	1 - Pico1 or Oculus
MP-2-RE-35ID -120/277V	12W Driver, 0-10V 24VDC Non-Dimming, 120/277V	35W	1/35	Roal-Tran-RSLP035	1 - Pico1 or Oculus

Notes

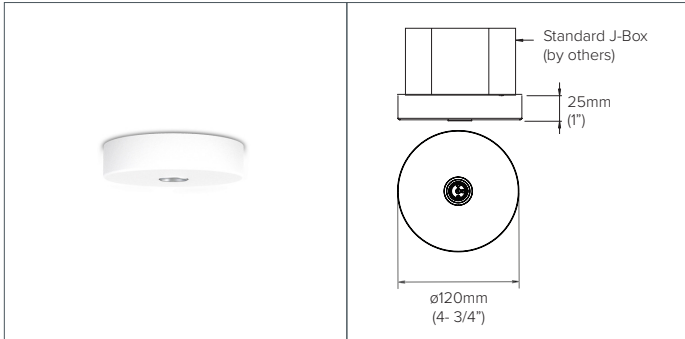
1. Due to the rapidly evolving technology for Semiconductor products, Tegan driver options are subject to change at any time, without notice. In addition, if any of the standard drivers are out of stock or discontinued, Tegan Lighting will supply an equal as needed. Tegan can also supply alternative drivers upon request; contact the factory for details.
2. Minimum and maximum wattage information provided by the driver manufacturer, refer to linked driver specification sheets for more detail and verification. Subject to change.
3. Tegan LED emitters, like all LEDs, undergo a natural depreciation in lumen output. This depreciation is within the specifications of LM-80. Extreme ambient temperatures, dusty environments, and power conditions may affect the depreciation. Wattage requirements and lumen output are subject to change with ongoing developments in LED technology.
4. 12VAC dimming transformers are Electronic (ELV) only.
5. Integral Transformers; 277V Non-Dimming.

MONOPOINT SYSTEMS

CATALOG NUMBER LOGIC



ROUND J-BOX MOUNT MONOPOINT



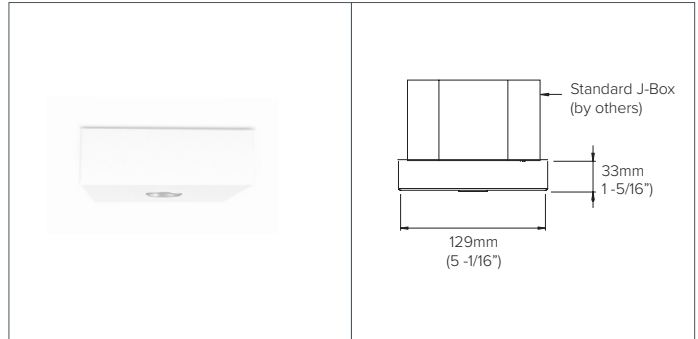
Round J-Box Mount Monopoint for Spot, Integral 15W Transformer, 120V or 277V, Aluminum, Black, White Finish

MP-RD-JB-15IT-DM-120V-AL, BLK or WH (Dimming)
 MP-RD-JB-15IT-277V-AL, BLK or WH (Non-Dimming)

Notes:

1. Refer to chart below for Spot compatibility per integral power supply wattage. Ordered separately to create a complete System.
2. Contact factory for special order Brushed Brass or Oil Rubbed Bronze finish.

SQUARE J-BOX MOUNT MONOPOINT



Square J-Box Mount Monopoint for Spot or Mini-Kore Pendant, Integral Driver (ID) or Transformer (IT), 120/277V, Aluminum, Black or White Finish

MP-SQ-JB-24ID-0-10VDM-120/277V-AL, BLK or WH (Dimming)
 MP-SQ-JB-24ID-120/277V-AL, BLK or WH (Non-Dimming)
 MP-SQ-JB-15IT-DM-120V-AL, BRZ, BLK or WH (Dimming)
 MP-SQ-JB-15IT-277V-AL, BRZ, BLK or WH (Non-Dimming)
 MP-SQ-JB-108IT-DM-120V-AL, BLK, WH (Dimming)
 MP-SQ-JB-108IT-277V-AL, BLK, WH (Non-Dimming)

J-BOX MONOPOINT COMPATIBILITY CHART

12VAC Integral Transformer for Round J-Box Mount Monopoint^{1,2,3,4}

CATALOG CODE	DRIVER DESCRIPTION	WATTS ¹	MIN/MAX ³	TYPICAL TRANSFORMER LINKS	COMPATIBLE SPOTS
MP-RD-JB-15IT-DM-120V	15W Electronic Transformer, 12VAC Dimming, 120V	15W	3W/15W	Hatch-RL LED Series	1 - Claro, Evo, Arlo, Arte-MR16 or Tiro Spot with 7.5W (max) LED MR-16 Lamp
MP-RD-JB-15IT-277V	15W Electronic Transformer, 12VAC, 277V	15W	3W/15W	Hatch-RL LED Series	1 - Claro, Evo, Arlo, Arte-MR16 or Tiro Spot with 7.5W (max) LED MR-16 Lamp

24VDC Integral 24W Driver for Square J-Box Mount Monopoint^{1,2,3,4}

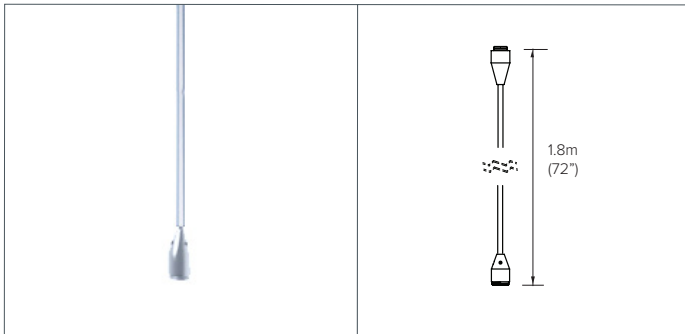
CATALOG CODE	DRIVER DESCRIPTION	WATTS ¹	MIN/MAX ³	TYPICAL DRIVER LINKS	COMPATIBLE SPOTS
MP-SQ-JB-24ID-120/277V	24W Driver, 0-10V 24VDC, 120/277V	24W	6W/30W	STRATO RSLP035-24	1 - Pico1, Mini-Kore Pendant or Oculus - Dedicated LED
MP-SQ-JB-24ID-DM-120/277V	24W Driver, 0-10V 24VDC, Dimming, 120/277V ⁵	24W	10W/30W	STRATO RSLP035-24 ± GRE-ALPHA SDL-DIM1B	1 - Pico1, Mini-Kore Pendant or Oculus - Dedicated LED
MP-SQ-JB-15IT-DM-120V	15W Electronic-12VAC-120V	15W	3W/15W	Hatch-RL LED Series	1 - Claro, Evo, Arlo, Arte-MR16 or Tiro Spot with 7.5W (max) LED MR-16 Lamp
MP-SQ-JB-15IT-277V	15W Electronic-12VAC-277V	15W	3W/15W	Hatch-RL LED Series	1 - Claro, Evo, Arlo, Arte-MR16 or Tiro Spot with 7.5W (max) LED MR-16 Lamp
MP-SQ-JB-108IT-DM-120V	108W Electronic 12VAC-120V	108W	5W/108W	Hatch-RS12-108-120V	1 - Arte-AR111 18.5W (Max Wattage) AR-111 LED Lamp
MP-SQ-JB-108IT-277V	108W-Electronic-12VAC-277V	108W	5W/108W	Hatch-RS12-108-120V	1 - Arte-AR111 18.5W (Max Wattage) AR-111 LED Lamp

MONOPOINT SYSTEMS

Notes

1. Due to the rapidly evolving technology for Semiconductor products, Tegan driver options are subject to change at any time, without notice. In addition, if any of the standard drivers are out of stock or discontinued, Tegan Lighting will supply an equal as needed. Tegan can also supply alternative drivers upon request; contact the factory for details.
2. Minimum and maximum wattage information provided by the driver manufacturer, refer to linked driver specification sheets for more detail and verification. Subject to change.
3. Tegan LED emitters, like all LEDs, undergo a natural depreciation in lumen output. This depreciation is within the specifications of LM-80. Extreme ambient temperatures, dusty environments, and power conditions may affect the depreciation. Wattage requirements and lumen output are subject to change with ongoing developments in LED technology.
4. 12VAC dimming transformers are Electronic (ELV) only.
5. Integral Transformers; 277V Non-Dimming.

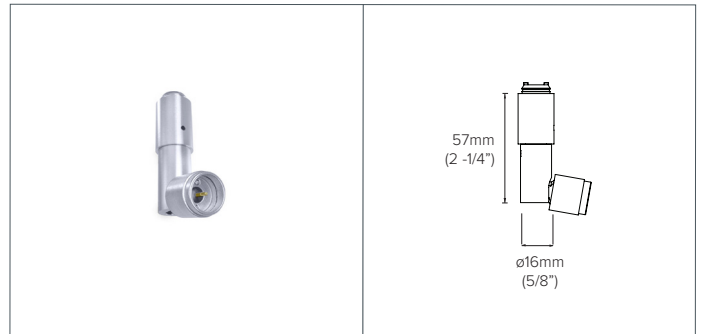
ACCESSORIES



72" Spot Stem Extension, Aluminum, Black or White Finish

SPOT-EXT72-AL, BLK or WH

Spot Stem Extension for use with Monopoints. Attaches to the Claro Spot for an extension up to 72". Spot Extensions can be shortened in the field or at the factory for an additional cost. **Note: A Sloped Ceiling Adapter must be added for use in Sloped Ceilings with Monopoints; refer to the Monopoint Specification Sheets under "Accessories" for details.** Refer to Installation Instructions for details. Contact the factory for a special order Double Spot Extension.



Universal Sloped Ceiling Adapter, Aluminum, Black or White

USCA-AL, BLK or WH

The Universal Sloped Ceiling Adapter allows for angle adjustment of any Spotlight when connected to a Monopoint installed on a sloped ceiling. Tilts 90° and rotates 350°. Contact factory for Brushed Brass, Polished Brass or Bronze finish. Minimum quantity may apply.

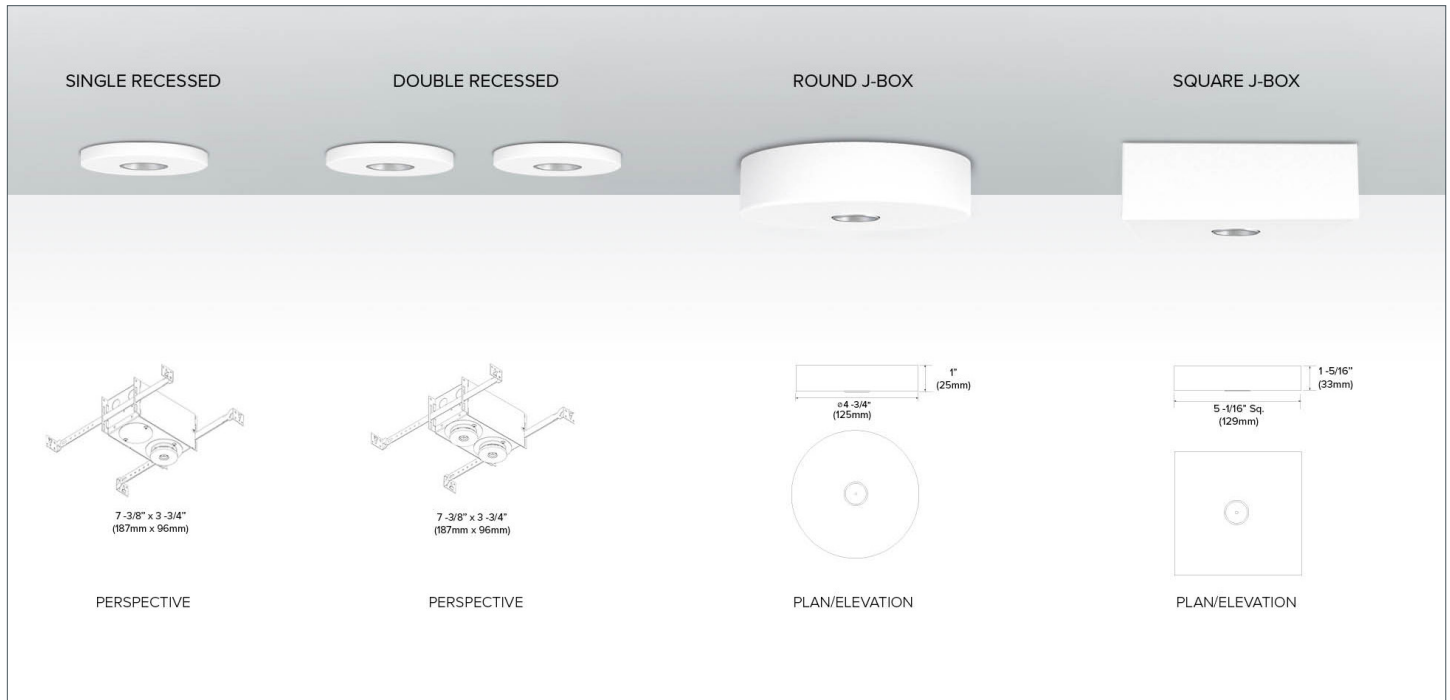


Click & Twist System

The Click & Twist connection design allows Spots to be easily removed. The Spot clicks into the jack plug socket, the threaded jacket then screws into position to lock the connection in place. Once installed, the Spot can be rotated vertically and horizontally to achieve the designed aim angle.

MONOPOINT SYSTEMS

MONOPOINT INSTALLATION EXAMPLES



COMPATIBLE SPOTS & MINI-KORE PENDANTS TO CREATE A COMPLETE SYSTEM

(Ordered separately, examples shown here)

[Spots](#). Click this link to access the details below.



12VAC LED
MR-16 SPOTS

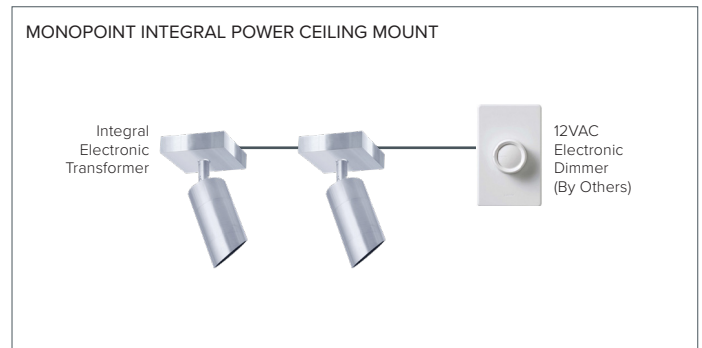


24VDC DEDICATED
LED SPOTS



24VDC MINI-KORE
PENDANTS

EXAMPLE SYSTEMS



MONOPOINT SYSTEMS



Category	<p>Single & Double Monopoint: Recessed Enclosure features an integral power supply for use when remote power is not an option. Non-IC rated.</p> <p>Round Monopoint: Ideal for installations that require a J-Box mounted Spot.</p> <p>Square J-Box Mount Monopoint: Ideal for installations that require Integral Power. Compatible with a LED MR-16 12VAC Triac DM with a integral transformer or driver or dedicated LED 24VDC 0-10V Spot (ordered separately).</p> <p>Image (Left): Shown as installed with a 12VAC MR-16 Arte-MR-16 Spot on Single Recessed Monopoint, not included with Monopoint; specify Spot separately.</p>
Material/Finish	<p>Material: Extruded and machined aluminum or brass. Brushed Aluminum (AL), Matte White (WH), Oil-Rubbed Bronze (BRZ) - MR-16 Spots only or Matte Black (BLK) finish. Contact factory for special order Brushed Brass (BBR) finish. (Minimum quantities apply).</p>
Spot/Mini-Kore Pendant	<p>Ordered separately. Spot or Mini-Kore Pendant required to create a complete Monopoint System. All Monopoints are compatible with 12VAC MR-16 or 24VDC Dedicated Spots. Mini-Kore Pendant is compatible with Square J-Box Monopoint (only).</p>
Accessories	<p>72" Spot Extension - Black, White or Aluminum finish (SpotExt72-BLK, AL or WH), Universal Sloped Ceiling Adapter - Black, White or Aluminum finish (USCA-BLK, AL or WH). Contact factory for 72" Double Spot Extension (DSpotExt72) and special order Bronze or Brass finishes.</p>
Integral Power Supply	<p>Refer to the Power Supply Charts above for details. NOTE: 12VAC transformers are Electronic (ELV) only. In-rush may be a factor with other manufacturers' LED MR-16 lamps; refer to lamp manufacturers' spec sheets.</p>
Installation	<p>Refer to Installation Instructions for details.</p>
Labels	<p>ETL & CE Listed; Tested to UL 1574 - Issue: 2004/09/07 Ed: 3 Rev:2012/01/25 UL Standard for Safety Monopoint Lighting Systems. IP20. Interior use only. In a continuing effort to offer the best product possible, we reserve the right to change, without notice, specifications or materials. Technical specification sheets that appear on teganlighting.com are the most recent version and supersede all other versions that exist in any other printed or electronic form. 3-Year Warranty.</p>