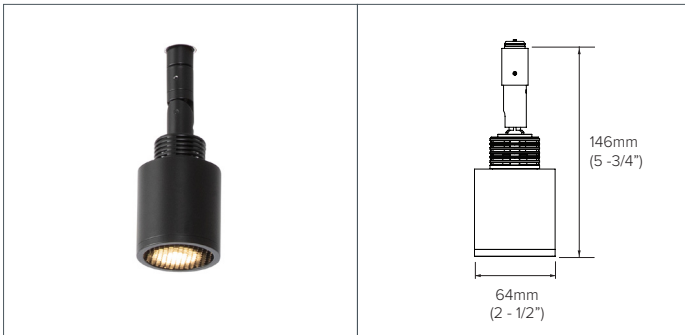


HEADS – MONOPOINT MOUNT

CATALOG NUMBER LOGIC



HEADS – MONOPOINT MOUNT – LED MR-16



Tiro Short Glare Shield Spot, Monopoint Mount, Aluminum, White, Black or Bronze* Finish

(TIRO-SGS-AL, WH, BLK, BRZ*)

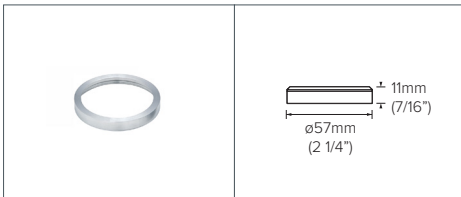
The Tiro Short Glare Shield MR-16 Spot features a sophisticated, minimal shape characterized by a postmodernism influence. Tiro features excellent beam control with the use of optional Media. Brushed Aluminum (AL), Black (BLK), White (WH) or Oil-Rubbed Bronze* (BRZ) finish. Tiro Short Glare Shield Spot has a modular design and is compatible with Remote Power or Integral Power Monopoints. Monopoints and Remote Power Supply(s) ordered separately to create a complete System.

Note: Tiro Short Glare Shield Spot shown above installed into a Remote Power Monopoint, Trimless, ordered separately. *Contact factory for Bronze finish.

Click & Twist System

The Click & Twist connection design allows Spots to be easily removed. The Spot clicks into the jack plug socket. The threaded jacket then screws into position to lock the connection in place. Once installed, the Spot can be rotated vertically and horizontally to achieve the designed aim angle.

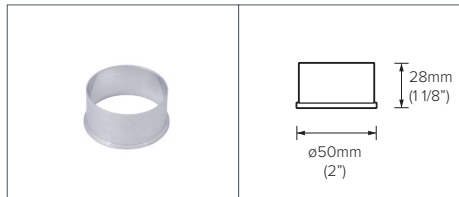
ACCESSORIES – FOR TIRO SHORT GLARE SHIELD SPOT (ONLY).



Media Holder 2, Aluminum, White, Black or Bronze* Finish

(MH2-16-AL, WH, BLK, BRZ*)

Compatible with Tiro Short Glare Shield Spot (only). Will accommodate up to two Media or a Snoot with one Media. Brushed Aluminum (AL), Black (BLK), White (WH) or Oil-Rubbed Bronze* (BRZ) finish - Contact factory.



Snoot, Aluminum, White or Black Finish

(SNT-16-AL, WH or BLK)

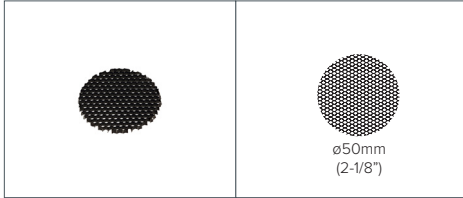
Compatible with Tiro Short Glare Shield Spot (only). Provides glare control and reduces light spill. Can be installed into a standard Tiro Short Glare Shield Spot, no Media. To install one Media and a Snoot, add the Media Holder 2 (MH2-16). Brushed Aluminum (AL), Black (BLK) or White (WH) finish. Special order Oil-Rubbed Bronze* (BRZ).

NOTE:

1. The Tiro Snoot can be only used alone (no Media) with standard Tiro Short Glare Shield Spot (only). A Snoot with one Media requires the addition of a Media Holder 2 (MH2-16). Contact factory for a solution when using the Snoot with 2 or 3 Media.

HEADS – MONOPOINT MOUNT

MEDIA ACCESSORIES – FOR TIRO SHORT GLARE SHIELD SPOT (ONLY), EXCEPT SPOT EXTENSION.



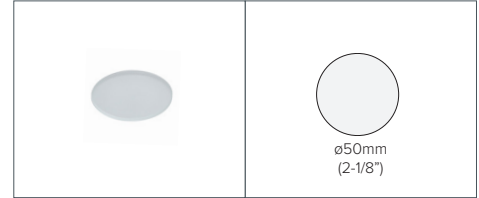
Honeycomb Louver 16 (HCL-16-BLK)

1/8" Hexcell black metal. Controls spill illumination and glare. For use with Tiro Short Glare Shield Spot (only).



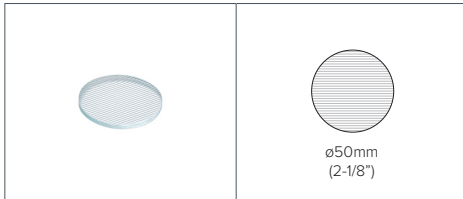
Prismatic Lens 16 (PL-16)

Tempered low-iron glass. Creates a symmetrical broadening of the lamp beam. For use with Tiro Short Glare Shield Spot (only).



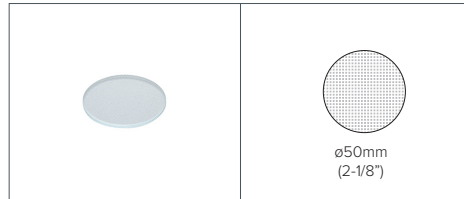
Sandblasted Lens 16 (SBL-16)

Tempered low-iron glass. Creates a uniform beam pattern that is useful for wall washing. For use with Tiro Short Glare Shield Spot (only).



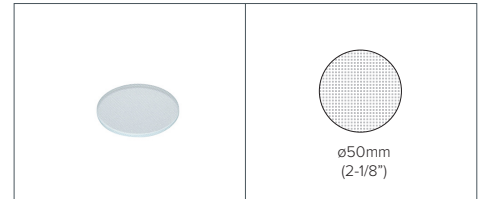
Linear Spread Lens 16 (LSL-16)

Tempered low-iron glass. Will extend the lamp's beam along one axis to allow highlighting of wider areas from a single fixture. For use with Tiro Short Glare Shield Spot (only).



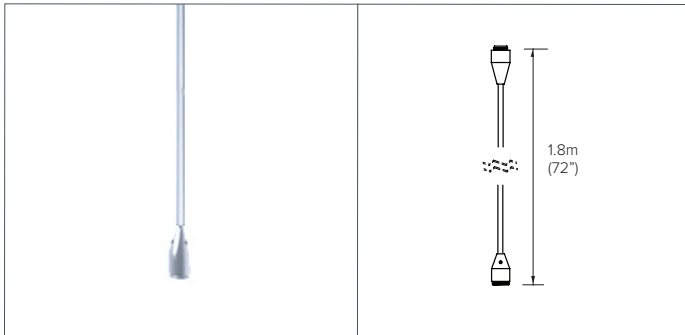
Softening Lens 16 (SFL-16)

Tempered low-iron glass. Smooths and widens irregular beam pattern. For use with Tiro Short Glare Shield Spot (only).



Solite Lens 16 (SOL-16)

Tempered low-iron optically clear glass with a stipple effect that provides obscurity while retaining high transmission values and minimal absorption. For use with Tiro Short Glare Shield Spot (only).

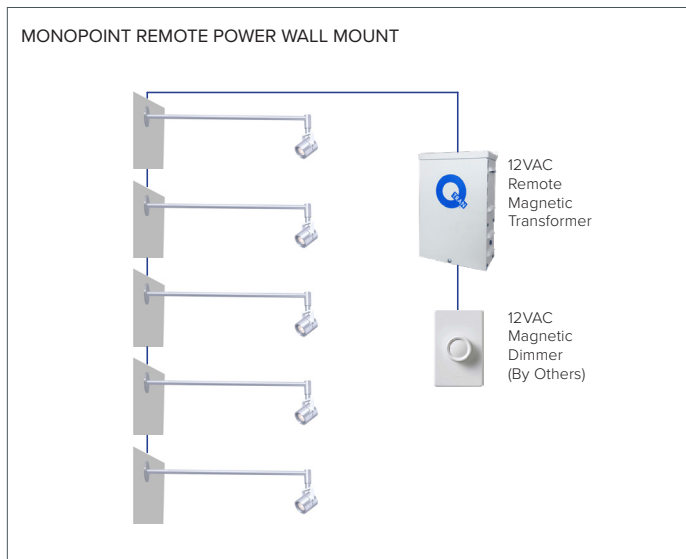
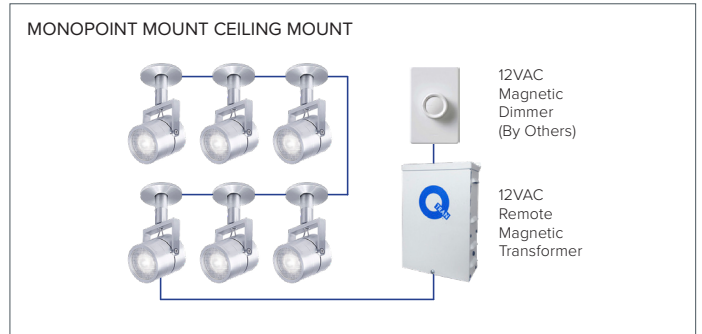
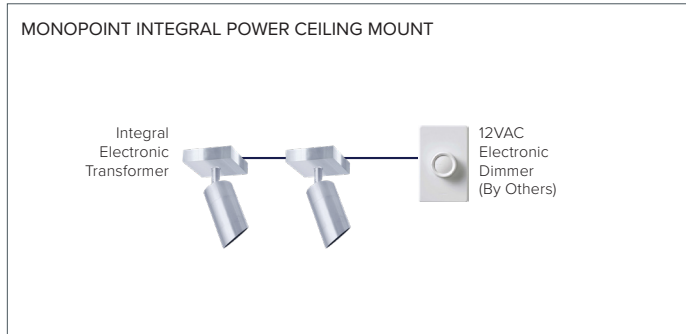


72" Spot Stem Extension, Aluminum, Black or White Finish (SPOT-EXT72-AL, BLK or WH)

Spot Stem Extension for use with Monopoints. Attaches to the Tiro Short Glare Shield Spot for an extension up to 72". Spot Extensions can be shortened in the field or at the factory for an additional cost. **Note: A Sloped Ceiling Adapter must be added for use in Sloped Ceilings with Monopoints; refer to the Monopoint Specification Sheets under "Accessories" for details.** Refer to Installation Instructions for details. Contact the factory for a special order Double Spot Extension.

HEADS – MONOPOINT MOUNT

EXAMPLE SYSTEMS (SPOTS VARY)



COMPATIBLE MONOPOINTS AND POWER SUPPLIES TO CREATE A COMPLETE SYSTEM

(Ordered separately, examples shown here)

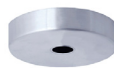
[Monopoints and Power Supplies](#). Click this link to access the details below.



REMOTE POWER SUPPLIES



MONOPOINTS REMOTE POWER SUPPLY



MONOPOINTS INTEGRAL POWER SUPPLY

HEADS – MONOPOINT MOUNT



- Category:** Tiro Short Glare Shield and Frit Glass Shield Spots feature a sophisticated, minimal shape characterized by a postmodernism influence.
- Material:** Machined aluminum for aluminum, black or white finishes. Oil rubbed bronze* finishes are made of machined brass.
- Finish:** Brushed Aluminum (AL), Black (BK) or White (WH). Contact factory for special order finishes; Oil-Rubbed Bronze (BRZ) and Brushed Brass (BBR). Minimum quantity required.
- System:** Monopoints and Power Supplies ordered separately to make a complete System. Tiro Spot has a modular design and is compatible with Remote Power or Integral Power Monopoints.
- Adjustment:** Smooth, 360° bearing rotation with locking 90° vertical adjustment.
- Source:** Accommodates LED MR-16, 12VAC (GU5.3 Bi-Pin) lamp. Tegan can supply Soraa lamps. Note that all LED MR-16 lamps (Cree, Soraa, etc.) are rated for different operating conditions as per the lamp manufacturer. In addition, they are subject to frequent changes in recommended operating conditions and/or Spot compatibility. Please carefully check to ensure the lamp specified is rated to be compatible with the selected Tegan Spot. Contact factory to order LED lamps. For dimming LED MR-16 lamps (Soraa) with 12VAC transformers, please refer to the Power Supply Specs sheet.
- Installation:** Refer to Tiro Installation Instructions for details.
- Accessories:** For Tiro Short Glare Shield Spot (only), except Spot Extension. Media Holder 2-16 - can accommodate up to two Media (MH2-16) or one Media and one Snoot, Snoot (SNT-16), Honeycomb Louver 16 - Black (HCL-16-BLK), Prismatic Lens 16 (PL-16), Sandblasted Lens 16 (SBL-16), Linear Spread Lens 16 (LSL-16), Softening Lens 16 (SFL-16), Solite Lens 16 (SOL-16). 72" Spot Extension (SPOT-EXT72). 72" Double Spot Extension (DSPOT-EXT72) - Contact factory.
- Labels:** ETL & CE Listed; Tested to UL 1574 - Issue: 2004/09/07 Ed: 3 Rev:2012/01/25 UL Standard for Safety Spot Lighting Systems. IP20. Interior use only. In a continuing effort to offer the best product possible, we reserve the right to change, without notice, specifications or materials. Technical specification sheets that appear on teganlighting.com are the most recent version and supersede all other versions that exist in any other printed or electronic form. 3-Year Warranty.